

Category: ECS
Energy
Conservation
Series

Prefix:
EGF

Fixture Series (Name):
Ergo-Form



Innovative Lighting Ideas
Energy Efficient Solutions



GE Lighting North America



Ergo-Form Series general purpose fluorescent luminaire

GENERAL DESCRIPTION

The Ergo-Form (EGF) Series has been developed for general illumination for recessed T-Bar ceiling grid applications. This series utilizes architectural design elements to balance directional and diffuse illumination to create enhanced visual comfort. It also provides instant-on operation and offers many other energy saving options.

Typical applications for this type of product are interior spaces where finished T-Bar grid ceilings exist. Applications include:

- Corridors, Libraries and Open / Private Office Areas
- Hospitals, Government Facilities and Military Bases
- Retail Spaces, Schools, Colleges and Universities
- Airport Waiting Areas and Public Indoor Spaces

DESIGN FEATURES / SPECIFICATIONS

CONSTRUCTION

- Precision die formed from 22 ga. cold rolled steel.
- Mechanically fastened.
- Finish to be polyester powder coat matte white baked enamel.

REFLECTOR

- Precision die formed optics which has been designed for maximum efficiency and photometric properties using the latest CAD software.
- Choice of materials (for internal reflector) include:
 - Alanod Miro4® Enhanced Specular Aluminum, 95% total reflectance, 25 year warranty.
 - High Reflectance White Powder Coated Aluminum, 91% total reflectance, 10 year warranty.
 - Alanod Miro4® "Micro-Matt" Enhanced Specular Aluminum, 95% total reflectance, 25 year warranty.

LAMP HOLDERS

- Vossloh-Schwabe® premium type featuring:
 - Anti-vibration internal lamp locking design
 - High temperature resistant ("T" marking).
 - Heat and UV blocking shield to prevent degradation of material.
 - Multi-point contact design for optimum lamp pin contact.
 - Produced in accordance with DIN ISO 9001 and IEC standards.

BALLASTS

- All standard ballasts are electronic, energy saving, thermally protected, Class-P, non-PCB, Sound Rated "A", 0 degree (Type 1 Outdoor). Verify with factory for latest information regarding High Temperature (HT) or Extreme Low Temperature (XLT) rated ballast options.
- UL/CSA certified, where applicable. Compliant with Federal Ballast Law (Public Law 100-357, 1988).
- Choice of ballast factors. L=Low, N=Normal, H=High.
- Choice of dedicated, universal or special voltage - Consult factory for available options.
- Warranted by ballast manufacturer. Typical ballast warranty is for 5 years (120-277v) and 3-years (347-480v). Consult factory for latest warranty information.

LAMPS

- Supplied by others unless otherwise specified.
- Factory installed if required - Consult factory.
- Lamp type, CRI ratings, temperature colors, lamp life ratings are all viable options which can be supplied - Consult factory for information.

LAMP SHIELDING

- Lamp shielding design includes:
 - Roll formed CRS center shield featuring micro-perforated pattern. Finish to be polyester powder coat matte white baked enamel.
 - High light transmission white overlay (located behind perforated shield).
 - Consult factory for all other available options.



MOUNTING

- The luminaire is designed to be mounted in a standard T-Bar ceiling grid. Integral T-Bar safety clips are standard – no need to install separate clips.

ELECTRICAL

- Luminaire is bi-national listed and labeled (UL 1598 and CSA C22.2 No. 250.0-00) and is suitable for damp locations.
- Product includes luminaire disconnect as specified in NEC 410.73(G), 2005 Edition, and CEC part I, rule 30-308(4), 2006 Edition.

QUALITY CONTROL

- All fixtures and retrofit kits are designed, fabricated, assembled and tested at RENOVA's manufacturing facility. All fixtures are 100% lamp tested, inspected and labeled prior to shipment.

GUARANTEE

- RENOVA warrants all fixtures to be free of defects in manufacturing and workmanship for a period of (1) year from date of purchase. This warranty excludes damage of any kind resulting from improper installation, misuse, abuse, accidents, mis-application, or natural disasters. Please refer to the "Terms and Conditions" section of the RENOVA website for additional information.

Note: RENOVA products are constantly being improved; therefore, the information shown is subject to change without notice. Always consult your lighting representative or RENOVA Lighting Systems, Inc. for the latest information.

RENOVA Lighting Systems, Inc. • 15 Wellstown Road • Ashaway, RI 02804 • (800) 635-6682 • www.renova.com

RLS-7940A-4

Category: ECS
Energy Conservation Series

Prefix:
EGF

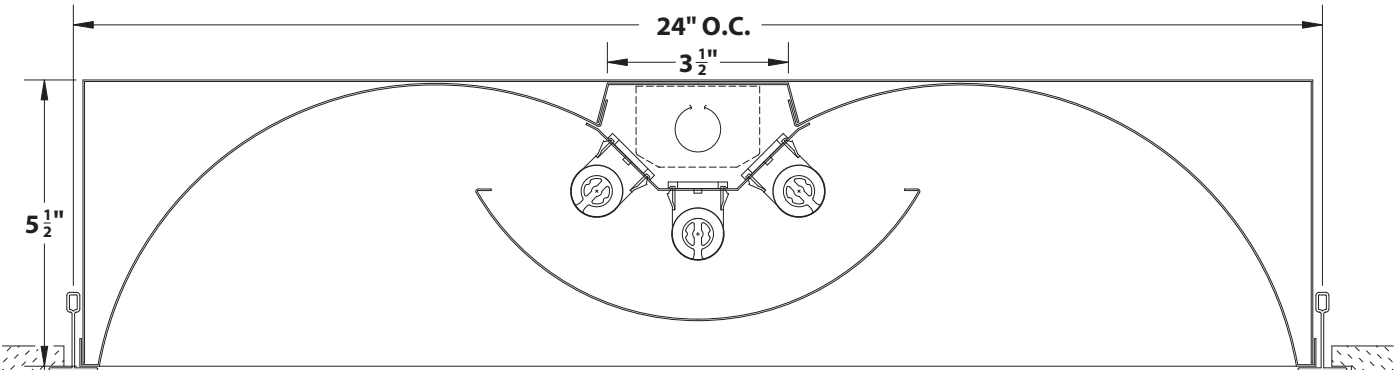
Fixture Series (Name):
Ergo-Form



Innovative Lighting Ideas
Energy Efficient Solutions



3-Lamp T8 2x2 Ergo-Form Cross Section Shown



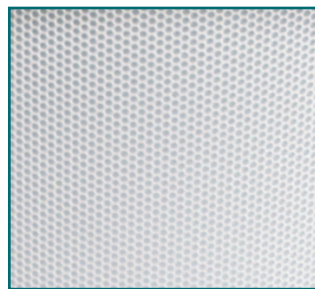
| ORDERING GUIDE | | | | | | | | | | | |
|----------------------------|-----------------|--------------------|---|--|------------------|--|--|--|---|-----------------------------------|---|
| CATEGORY | SERIES | SIZE | REFLECTOR MATERIAL | REFLECTOR PHOTOMETRY | NUMBER OF LAMPS | LAMP TYPE (WATTAGE) | BALLAST VOLTAGE | NUMBER OF BALLASTS | LAMPS PER BALLAST | BALLAST FACTOR | OPTIONS |
| ECS | EGF | 2 | M | N | 3 | 17 | UNV | 1 | 3 | N | PRF |
| Energy Conservation Series | EGF - ERGO-FORM | 2 - 2x2 4 - 2x4 | M - MIRO4 (95% TR) W - WHITE (91% TR) R - MIRO4 MICRO-MATT (95% TR) | N - NORMAL *N - NORMAL IS STANDARD (BLANK)=N | 2 - 2L 3 - 3L | 17 17w T8 32 32w T8 14 14w T5 28 28w T5 24 24w T5HO 54 54w T5HO 40 40w CFL 55 55w CFL | 120 - 120v, 60 Hz 277 - 277v, 60 Hz 347 - 347v, 60 Hz UNV - 120v - 277v, 60 Hz 480 - 480v, 60 Hz xxx - Less Ballast | S - SLAVE (BLANK) - 1 2 - 2 3 - 3 4 - 4 | (BLANK) - 0 1 - 1 2 - 2 3 - 3 4 - 4 | L - Low N - Normal H - High | <p>IES SUSTAINING MEMBER</p> <p>MADE IN THE USA</p> <p>UL LISTED</p> <p>Photometric data, IES files and all other information is available upon request.</p> <p>Veteran OWNED AND OPERATED</p> <p>PRF1 - Perforated (Small) / White Shield (Basket) PRF2 - Perforated (Large) / White Shield (Basket) FRL1 - Frosted Ribbed Lens</p> <p>*ADDITIONAL OPTIONS (See "Options" sheet for all available options)</p> |



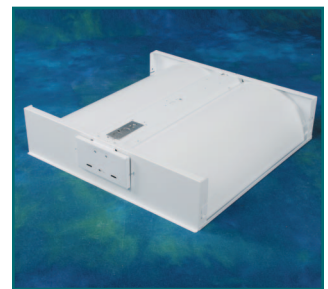
Vossloh Locking Lampholders (Standard)



Center Perforated Shield Pivots to Allow for Easy Access to Lamps and Ballasts



Perforated Shield Includes High Light Transmission White Overlay (Secured to Inside of Shield)



Mounting Details (Included in all Housings)

Note: RENOVA products are constantly being improved; therefore, the information shown is subject to change without notice. Always consult your lighting representative or RENOVA Lighting Systems, Inc. for the latest information.

RENOVA Lighting Systems, Inc. • 15 Wellstown Road • Ashaway, RI 02804 • (800) 635-6682 • www.renova.com