

Category: ECS
Energy
Conservation
Series

Prefix:
EGS

Fixture Series (Name):
Economy Grade Strip



Innovative Lighting Ideas
Energy Efficient Solutions



GE Lighting North America



Economy Grade Strip Series general purpose fluorescent luminaire

GENERAL DESCRIPTION

The Economy Grade Strip (EGS) Series has been developed for low to medium general illumination for surface or pendant mounted applications. This series utilizes computer designed reflector technology for optimal fixture efficiency, reduction of energy consumption and improved quality of light. It also provides instant-on operation and offers many other energy saving options.

Typical applications for this type of product are interior spaces where performance is important. Applications include:

- Commercial, Retail and Manufacturing
- Coves and Valance Lighting Application
- Backlighting used for Displays and Interior Signage
- Schools, Colleges and Universities

DESIGN FEATURES / SPECIFICATIONS

CONSTRUCTION

- Precision die formed from 22 ga. cold rolled steel.
- Mechanically fastened or resistance welded depending on model.
- Heavy gauge steel (CRS) or aluminum alloy may be custom ordered.
- Finish to be pre-painted gloss white polyester powder coat enamel.
- Post-painted polyester powder coat finishes are available. Consult factory for all special colors and finishes.
- Heavy gauge steel (NYC) and heavy gauge aluminum are available as alternate materials.

REFLECTOR

- Precision die formed optics which has been designed for maximum efficiency and photometric properties using the latest CAD software.
- Choice of optics includes focused, normal and spread beam distribution. Consult factory for custom optics design and spacing criteria options.
- Choice of materials include:
 - Alanod Miro4® Enhanced Specular Aluminum, 95% total reflectance, 25 year warranty.
 - Enhanced Specular Aluminum, 92% total (min.) reflectance, 25 year warranty.
 - High Reflectance White Powder Coated Aluminum, 91% total reflectance, 10 year warranty.
 - Polished Aluminum, 87% total (min.) reflectance, 25 year warranty.
- Consult factory for availability of all other material choices.

LAMP HOLDERS

- Vossloh-Schwabe® premium type featuring:
 - Anti-vibration internal lamp locking design
 - High temperature resistant ("T" marking).
 - Heat and UV blocking shield to prevent degradation of material.
 - Multi-point contact design for optimum lamp pin contact.
 - Produced in accordance with DIN ISO 9001 and IEC standards.

BALLASTS

- All standard ballasts are electronic, energy saving, thermally protected, Class-P, non-PCB, Sound Rated "A", 0 degree (Type 1 Outdoor). Verify with factory for latest information regarding High Temperature (HT) or Extreme Low Temperature (XLT) rated ballast options.
- UL/CSA certified, where applicable. Compliant with Federal Ballast Law (Public Law 100-357, 1988).
- Choice of ballast factors. L=Low, N=Normal, H=High.
- Choice of dedicated, universal or special voltage - Consult factory for available options.
- Warranted by ballast manufacturer. Typical ballast warranty is for 5 years (120-277v) and 3-years (347-480v). Consult factory for latest warranty information.

LAMPS

- Supplied by others unless otherwise specified.
- Factory installed if required - Consult factory.
- Lamp type, CRI ratings, temperature colors, lamp life ratings are all viable options which can be supplied - Consult factory for information.

MOUNTING

- The luminaire may be surface mounted or may be suspended by pendant, threaded rod, hook, chain or cable. (Mounting hardware supplied by others unless otherwise specified).
- Custom mounting options / accessories are available - Consult factory.

ELECTRICAL

- Luminaire is bi-national listed and labeled (UL 1598 and CSA C22.2 No. 250.0-00) and is suitable for damp locations.
- Product includes luminaire disconnect as specified in NEC 410.73(G), 2005 Edition, and CEC part I, rule 30-308(4), 2006 Edition.

QUALITY CONTROL

- All fixtures and retrofit kits are designed, fabricated, assembled and tested at RENOVA's manufacturing facility. All fixtures are 100% lamp tested, inspected and labeled prior to shipment.

GUARANTEE

- RENOVA warrants all fixtures to be free of defects in manufacturing and workmanship for a period of (1) year from date of purchase. This warranty excludes damage of any kind resulting from improper installation, misuse, abuse, accidents, mis-application, or natural disasters. Please refer to the "Terms and Conditions" section of the RENOVA website for additional information.



Note: RENOVA products are constantly being improved; therefore, the information shown is subject to change without notice. Always consult your lighting representative or RENOVA Lighting Systems, Inc. for the latest information.

RENOVA Lighting Systems, Inc. • 15 Wellstown Road • Ashaway, RI 02804 • (800) 635-6682 • www.renova.com

RLS-8240A-3

Category: ECS
Energy Conservation Series

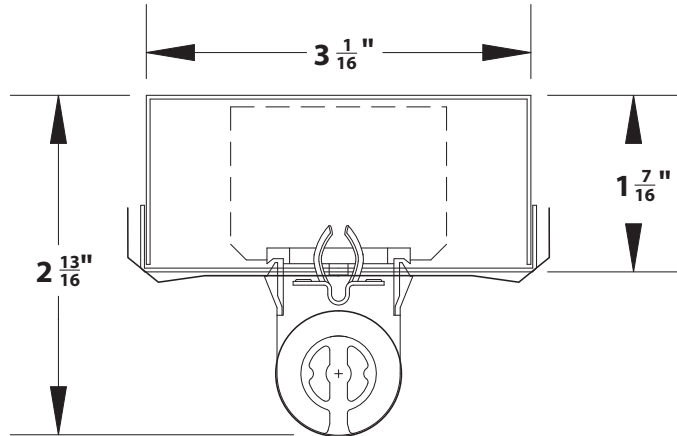
Prefix:
EGS

Fixture Series (Name):
Economy Grade Strip



Innovative Lighting Ideas
Energy Efficient Solutions

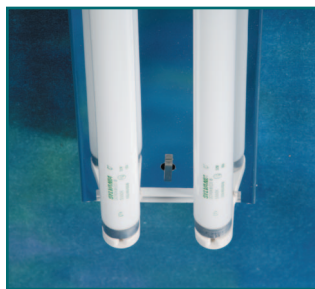
1-Lamp T8 Economy Grade Strip Cross Section Shown



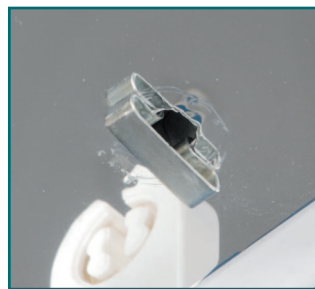
ORDERING GUIDE											
CATEGORY	SERIES	SIZE	REFLECTOR MATERIAL	REFLECTOR PHOTOMETRY	NUMBER OF LAMPS	LAMP TYPE (WATTAGE)	BALLAST VOLTAGE	NUMBER OF BALLASTS	LAMPS PER BALLAST	BALLAST FACTOR	OPTIONS
ECS	EGS										
Energy Conservation Series	EGS - ECONOMY GRADE STRIP	2 - 24" 3 - 36" 4 - 48" 6 - 72" 8 - 96"	M - MIRO4 (95% TR) E - ENHANCED ALUMINUM (92% TR min.) W - WHITE (91% TR) A - ALUMINUM (87% TR min.) B - BALLAST COVER (White) (83% TR min.) R - MIRO4 MICRO-MATT (95% TR)	N - NORMAL *N - NORMAL IS STANDARD (BLANK)=N	1 - 1L 2 - 2L 2 - 2L 4 - 4L 6 & 8 HSG 2 - 4 HSG	17 17w T8 25 25w T8 32 32w T8 14 14w T5 21 21w T5 28 28w T5 24 24w T5HO 39 39w T5HO 54 54w T5HO	120 - 120v, 60 Hz 277 - 277v, 60 Hz 347 - 347v, 60 Hz UNV - 120v - 277v, 60 Hz 480 - 480v, 60 Hz xxx - Less Ballast	S - SLAVE (BLANK) - 1 1 - 1 2 - 2 3 - 3 4 - 4	(BLANK) - 0 1 - 1 2 - 2 3 - 3 4 - 4	L - Low N - Normal H - High	
								<p>*ADDITIONAL OPTIONS (See "Options" sheet for all available options)</p> <p>*Use Suffix "M" for Master (Example: 4M)</p>			
<p>Photometric data, IES files and all other information is available upon request.</p>											



Vossloh Locking Lampholders (Standard)



Multi-Faceted Reflector (Designed for Maximum Efficiency)



Captive Quarter-Turn Fastener (Allows Toolless Access to Ballast Compartment)



Mounting Details (Included in all Housings)

Note: RENOVA products are constantly being improved; therefore, the information shown is subject to change without notice. Always consult your lighting representative or RENOVA Lighting Systems, Inc. for the latest information.

RENOVA Lighting Systems, Inc. • 15 Wellstown Road • Ashaway, RI 02804 • (800) 635-6682 • www.renova.com