



Innovative Lighting Ideas  
Energy Efficient Solutions



**OVATION**  
by RENOVA Lighting

# INSTALLATION GUIDE FOR: **OVATION SERIES RECESSED TROFFER**

Model Numbers

1x4 - RVN14 • 2x2 - RVN22 • 2x4 - RVN24

# SAFETY PRECAUTIONS

**READ ALL SAFETY PRECAUTIONS AND INSTALLATION INSTRUCTIONS CAREFULLY BEFORE INSTALLING OR SERVICING THIS FIXTURE. FAILURE TO COMPLY WITH THESE INSTRUCTIONS COULD RESULT IN POTENTIALLY FATAL ELECTRIC SHOCK AND/OR PROPERTY DAMAGE.**

---

**IT IS RECOMMENDED THAT A QUALIFIED ELECTRICIAN PERFORM ALL WIRING AND INSTALLATION IN ACCORDANCE WITH NATIONAL AND LOCAL ELECTRICAL CODES.**

---

**DO NOT HANDLE ANY ENERGIZED FIXTURE OR ATTEMPT TO ENERGIZE ANY FIXTURE WITH WET HANDS OR WHILE STANDING ON A WET OR DAMP SURFACE OR IN WATER.**

---

**TO REDUCE THE RISK OF ELECTRICAL SHOCK AND TO ASSURE PROPER OPERATION, THIS FIXTURE MUST BE ADEQUATELY GROUNDED. TO ACCOMPLISH PROPER GROUNDING, THERE MUST BE A SEPARATE GROUNDING WIRE (GREEN) OR BARE METAL CONTACT (METAL CONDUIT) BETWEEN THIS FIXTURE AND THE GROUND CONNECTION OF YOUR MAIN POWER SUPPLY PANEL. THE GREEN GROUND WIRE IS CLEARLY IDENTIFIED IN THE FIXTURE HOUSING.**

---

**HANDLE FIXTURE CAREFULLY TO AVOID ANY POSSIBLE SHARP EDGE INJURY.**

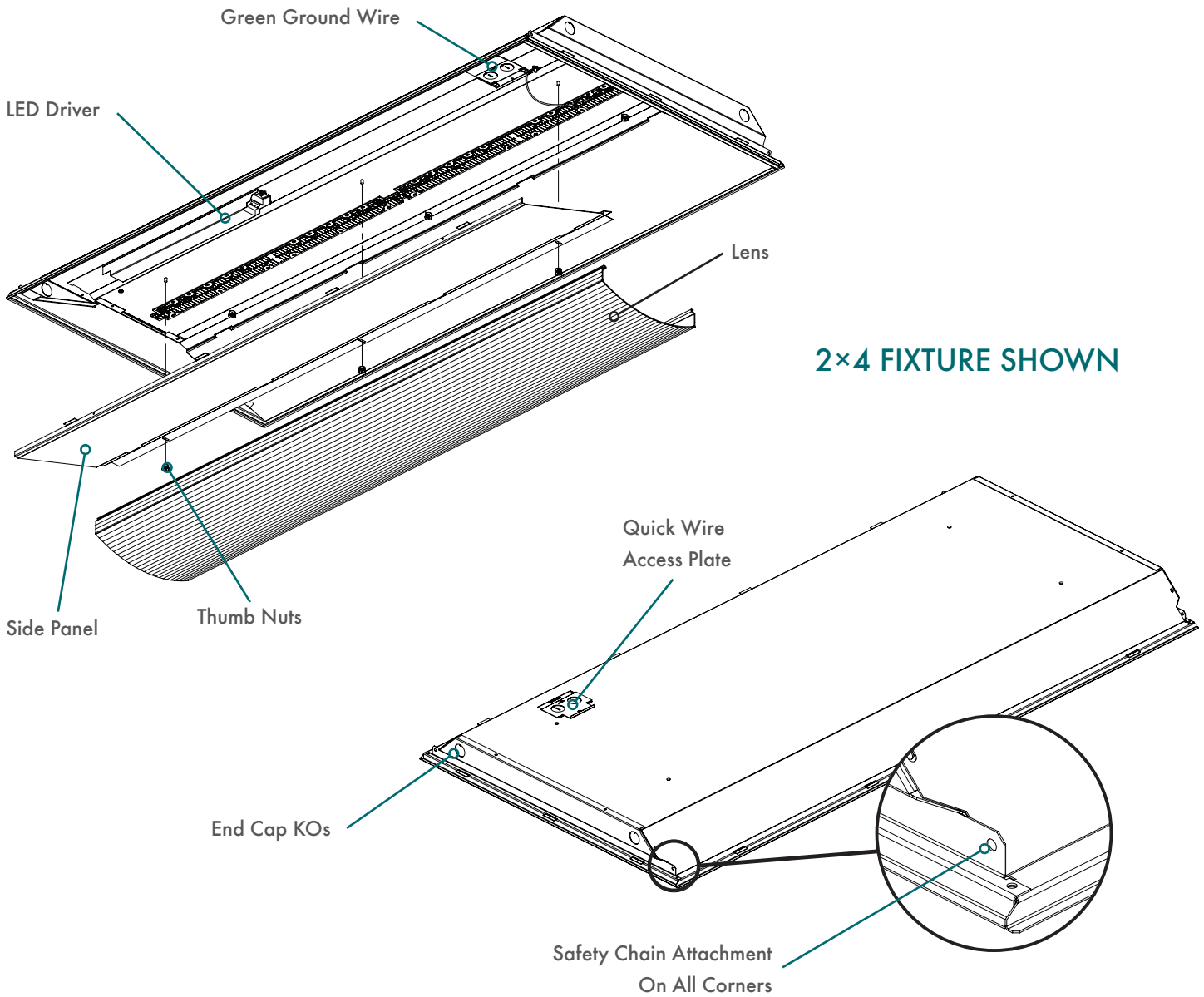
---

**DISCONNECT OR TURN OFF ELECTRICAL POWER AT THE FUSE OR CIRCUIT PANEL BEFORE INSTALLING OR SERVICING THIS FIXTURE.**

## **WARNING**

---

**TURN OFF ALL POWER BEFORE INSTALLING OR PERFORMING MAINTENANCE TO REDUCE THE RISK OF ELECTRICAL SHOCK.**



1. PLACE THE FIXTURE WITHIN THE "T" GRID CEILING SYSTEM.
2. USING SAFETY CHAIN, ATTACH ALL FOUR CORNERS OF THE FIXTURE TO STRUCTURE / SUPPORT MEMBERS OF THE BUILDING ABOVE THE GRID SYSTEM.
3. REMOVE THE SCREW HOLDING THE QUICK WIRE ACCESS PLATE AND REMOVE THE PLATE BY SLIDING IT SIDWAYS.
4. REMOVE THE NECESSARY NUMBER OF PLATE KNOCK OUTS AND COMPLETE PRIMARY LEAD WIRING AND GROUNDING AS REQUIRED. A STRAIN RELIEF FITTING WILL BE REQUIRED (SUPPLIED BY OTHERS).
5. REPLACE THE QUICK WIRE ACCESS PLATE AND THE RETAINING SCREW.
6. IF THE FIXTURE REQUIRES AN ALTERNATIVE WIRING ENTRY, 0-10V REMOTE DIMMING WIRING, EMERGENCY BACKUP LIGHTING OR ANY NON STANDARD CONFIGURATION, ONE OR BOTH SIDE PANELS SHOULD BE REMOVED BY REMOVING THE THUMB NUTS. THE DRIVER IS INSTALLED ON THE SAME FIXTURE SIDE AS THE QUICK WIRE ACCESS PLATE.
7. TURN POWER SUPPLY ON AND CONFIRM PROPER OPERATION.
8. THESE INSTRUCTIONS SHOULD BE LEFT WITH AND RETAINED BY BUILDING OWNER.