

Category: ECS
Energy
Conservation
Series

Prefix:
RCN

Fixture Series (Name):
Cynergy
(Recessed – Frosted Ribbed Lens)



Innovative Lighting Ideas
Energy Efficient Solutions



Cynergy (Recessed) Series high efficiency fluorescent luminaire

GENERAL DESCRIPTION

The Cynergy (CYN) Series has been developed for illumination of interior spaces where superior advanced fluorescent lighting is required together with high fixture efficiency. This series provides an attractive, energy efficient architectural look which has been specifically designed to replace existing parabolic troffer style fixtures. Comfortable, low glare, uniform lighting is attributed to this style of fixture.

Typical applications for this type of product are interior spaces where finished ceilings and walls exist. Applications Include:

- Commercial/Corporate Office Spaces
- Retail Spaces, Public Spaces and Airports
- Schools, Colleges and Universities
- Hospitals, Government Facilities and Military Bases

DESIGN FEATURES / SPECIFICATIONS

CONSTRUCTION

- Precision die-formed from 22 ga. cold rolled steel.
- Mechanically fastened / resistance welded for superior construction.
- Finish on housing and internal bracketry to be pre-painted gloss white polyester powder coat enamel.
- Finish on all external cosmetic trim to be post-painted "textured" high reflectance white polyester powder coat enamel. Custom colors are available.
- Heavy gauge steel (NYC) is optional.

REFLECTOR

- Precision die-formed optics which has been designed for maximum efficiency and photometric properties using the latest CAD software.
- Choice of optics include focused, normal and spread distribution.
- Choice of reflector materials include:
 - Alanod Miro4 Enhanced Specular Aluminum, 95% total reflectance, 25 year warranty.
 - Enhanced Specular Aluminum, 92% total (min.) reflectance, 25 year warranty.
 - High Reflectance White Powder Coated Alum., 91% total reflectance, 10 year warranty.
 - Consult factory for availability of all other material choices.

LAMP HOLDERS

- Vossloh-Schwabe® premium type featuring:
 - Anti-vibration internal lamp locking design
 - High temperature resistant "T" marking.
 - Heat and UV blocking shield to prevent degradation of material
 - Multi-point contact design for optimum lamp pin contact.
 - Produced in accordance with DIN ISO 9001 and IEC standards.

BALLASTS

- All standard ballasts are electronic, energy saving, thermally protected, Class-P, non PCB, Sound Rated "A", 0 degree (Type 1 Outdoor). Consult with factory for the latest information regarding power shedding, step / dimming, sunlight harvesting and other energy saving options.
- UL/CSA certified, where applicable. Compliant with Federal Ballast Law (Public Law 100-357, 1988).
- Choice of ballast factors: L=Low, N=Normal, H=High.
- Warranted by ballast manufacturer. Typical ballast warranty is for 5 years (120v-277v) and 3-years (347v-480v). Consult factory for latest warranty information.

LAMPS

- Supplied by others unless otherwise specified.
- Factory installed if required - Consult factory.
- Lamp Type, CRI ratings, temperature colors, lamp life ratings are all viable options which can be supplied - Consult factory for information.

LENS (DIFFUSER)

- Custom extruded profile for precision fit.
- Linear prisms designed for both visual appeal and control of lighting distribution.
- Extruded from 100% clear, virgin acrylic with 30% "DR" additive (used to resist breakage).
- Special formula high light transmission frosted acrylic polymer used for glare free shielding and high overall fixture efficiency.
- Consult factory for all available lens / diffuser options.

MOUNTING

- Luminaire is designed to be mounted in a standard NEMA Type "G" T-Bar ceiling grid.

ELECTRICAL

- Luminaire is UL/CUL listed and labeled.
- Product includes luminaire disconnect as specified in NEC 410.73(G), 2005 Edition, and CEC part 1, rule 30-308(4), 2006 Edition.

QUALITY CONTROL

- All fixtures are designed, fabricated, assembled, tested, packaged and shipped from RENOVA's manufacturing facility. All fixtures are inspected and labeled prior to shipment.

GUARANTEE

- RENOVA warrants all fixtures to be free of defects in manufacturing and workmanship for a period of (1) year from date of purchase. Please refer to the "Terms and Conditions" section of the RENOVA website for additional information.



Note: RENOVA products are constantly being improved; therefore, the information shown is subject to change without notice. Always consult your lighting representative or RENOVA Lighting Systems, Inc. for the latest information.

RENOVA Lighting Systems, Inc. 20 Middlesex Road Mansfield, MA 02048 (800) 635-6682 www.renova.com

Category: ECS
Energy Conservation Series

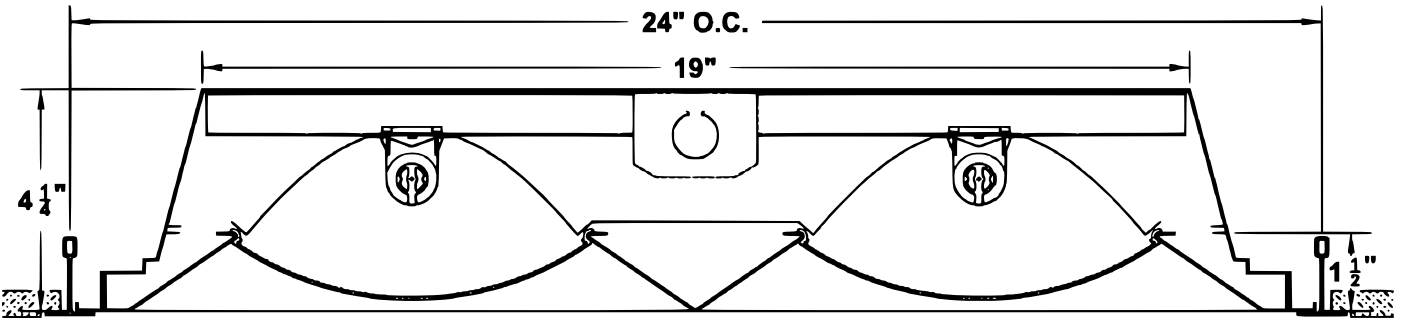
Prefix:
RCN

Fixture Series (Name):
Cynergy
(Recessed – Frosted Ribbed Lens)



Innovative Lighting Ideas
Energy Efficient Solutions

2-Lamp T8 2x2 | 2x4 Cynergy Cross Section Shown (Recessed)



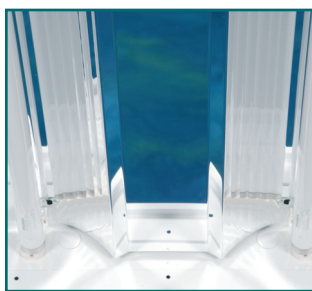
ORDERING GUIDE											
CATEGORY	SERIES	SIZE	REFLECTOR MATERIAL	REFLECTOR PHOTOMETRY	NUMBER OF LAMPS	LAMP TYPE (WATTAGE)	BALLAST VOLTAGE	NUMBER OF BALLASTS	LAMPS PER BALLAST	BALLAST FACTOR	OPTIONS
ECS	RCN										
Energy Conservation Series	RCN - REC. CYNERGY SERIES	0 - 1x2 1 - 1x4 2 - 2x2 4 - 2x4	M - MIRO4 (95% TR) W - WHITE (91% TR)	F - FOCUSED N - NORMAL S - SPREAD	1 - 1L 2 - 2L	17 - 17w T8 25 - 25w T8 28 - 28w T8 30 - 30w T8 32 - 32w T8 14 - 14w T5 28 - 28w T5 24 - 24w T5HO 54 - 54w T5HO	120 - 120v, 60 Hz 277 - 277v, 60 Hz UNV - 120v - 277v, 60 Hz	(BLANK) - 1 2 - 2	1 - 1 2 - 2		L - Low N - Normal H - High SD - Step Dim. DM - Line Voltage Dim.
Photometric data, IES files and all other information is available upon request.											FRL - Frosted Linear Prism Acrylic Lens (Standard) ARS - Air Return Slots
*ADDITIONAL OPTIONS (See "Options" sheet for all available options)											



Vossloh Locking Lampholders (Standard)



High Light Transmission Frosted Lens (Standard)



Multi-Faceted Reflector (Designed for Maximum Efficiency)



Precision Fabricated Frame Assembly (Air Return Slots are Optional) (Custom Colors are Optional)

Note: RENOVA products are constantly being improved; therefore, the information shown is subject to change without notice. Always consult your lighting representative or RENOVA Lighting Systems, Inc. for the latest information.