

Category: ECS
Energy
Conservation
Series

Prefix:
RPT

Fixture Series (Name):
Rec. Parabolic Troffer



Innovative Lighting Ideas
Energy Efficient Solutions



Recessed Parabolic Troffer Series general purpose fluorescent luminaire

GENERAL DESCRIPTION

The Recessed Parabolic Troffer (RPT) Series has been developed for general illumination for recessed T-Bar grid applications where optical control, visual comfort and light cut-off are important. This series utilizes computer designed reflector technology for optimal fixture efficiency, reduction of energy consumption and improved quality of light. It also provides instant-on operation and offers many other energy saving options.

Typical applications for this type of product are interior spaces where finished T-Bar grid ceilings exist. Applications include:

- Commercial / Corporate Office Spaces
- Hospitals, Government Facilities and Military Bases
- Retail Spaces, Schools, Colleges and Universities
- All General Illumination Indoor Applications

DESIGN FEATURES / SPECIFICATIONS

CONSTRUCTION

- Precision die formed from 22 ga. cold rolled steel.
- Mechanically fastened.
- Finish to be pre-painted gloss white polyester powder coat.

REFLECTOR

- Precision die formed optics which has been designed for maximum efficiency and photometric properties using the latest CAD software.
- Choice of optics includes focused, normal and spread beam distribution. Consult factory for custom optics design and spacing criteria options.
- Choice of materials include:
 - Alanod Miro4® Enhanced Specular Aluminum, 95% total reflectance, 25 year warranty.
 - Enhanced Specular Aluminum, 92% total (min.) reflectance, 25 year warranty.
 - High Reflectance White Powder Coated Aluminum, 91% total reflectance, 10 year warranty.
 - Polished Aluminum, 87% total (min.) reflectance, 25 year warranty.
 - Consult factory for availability of all other material choices.

LAMP HOLDERS

- Vossloh-Schwabe® premium type featuring:
 - Anti-vibration internal lamp locking design
 - High temperature resistant ("T" marking).
 - Heat and UV blocking shield to prevent degradation of material.
 - Multi-point contact design for optimum lamp pin contact.
 - Produced in accordance with DIN ISO 9001 and IEC standards.

BALLASTS

- All standard ballasts are electronic, energy saving, thermally protected, Class-P, non-PCB, Sound Rated "A", 0 degree (Type 1 Outdoor). Verify with factory for latest information regarding High Temperature (HT) or Extreme Low Temperature (XLT) rated ballast options.
- UL/CSA certified, where applicable. Compliant with Federal Ballast Law (Public Law 100-357, 1988).
- Choice of ballast factors. L=Low, N=Normal, H=High.
- Choice of dedicated, universal or special voltage - Consult factory for available options.
- Warranted by ballast manufacturer. Typical ballast warranty is for 5 years (120-277v) and 3-years (347-480v). Consult factory for latest warranty information.

LAMPS

- Supplied by others unless otherwise specified.
- Factory installed if required - Consult factory.
- Lamp type, CRI ratings, temperature colors, lamp life ratings are all viable options which can be supplied - Consult factory for information.

LAMP SHIELDING

- Louver information:
 - 3" deep parabolic design.
 - Finish to be semi-specular, low iridescent aluminum.
 - Spring loaded cam latches allow for quick access to lamps and ballasts.
 - Consult factory for all other material choices.

MOUNTING

- The luminaire is designed to be mounted in a standard T-Bar ceiling grid. Integral T-Bar safety clips are standard - no need to install separate clips.

ELECTRICAL

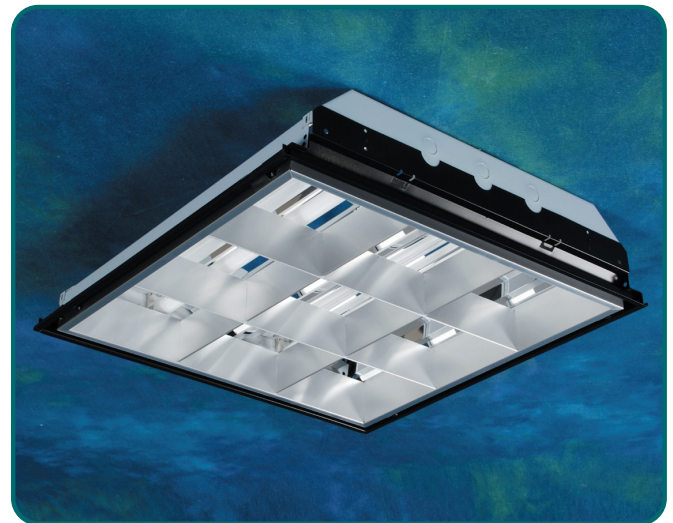
- Luminaire is bi-national listed and labeled (UL 1598 and CSA C22.2 No. 250.0-00) and is suitable for damp locations.
- Product includes luminaire disconnect as specified in NEC 410.73(G), 2005 Edition, and CEC part I, rule 30-308(4), 2006 Edition.

QUALITY CONTROL

- All fixtures and retrofit kits are designed, fabricated, assembled and tested at RENOVA's manufacturing facility. All fixtures are inspected and labeled prior to shipment.

GUARANTEE

- RENOVA warrants all fixtures to be free of defects in manufacturing and workmanship for a period of (1) year from date of purchase. This warranty excludes damage of any kind resulting from improper installation, misuse, abuse, accidents, mis-application, or natural disasters. Please refer to the "Terms and Conditions" section of the RENOVA website for additional information.



Note: RENOVA products are constantly being improved; therefore, the information shown is subject to change without notice. Always consult your lighting representative or RENOVA Lighting Systems, Inc. for the latest information.

RENOVA Lighting Systems, Inc. 20 Middlesex Road Mansfield, MA 02048 (800) 635-6682 www.renova.com

Category: ECS
Energy Conservation Series

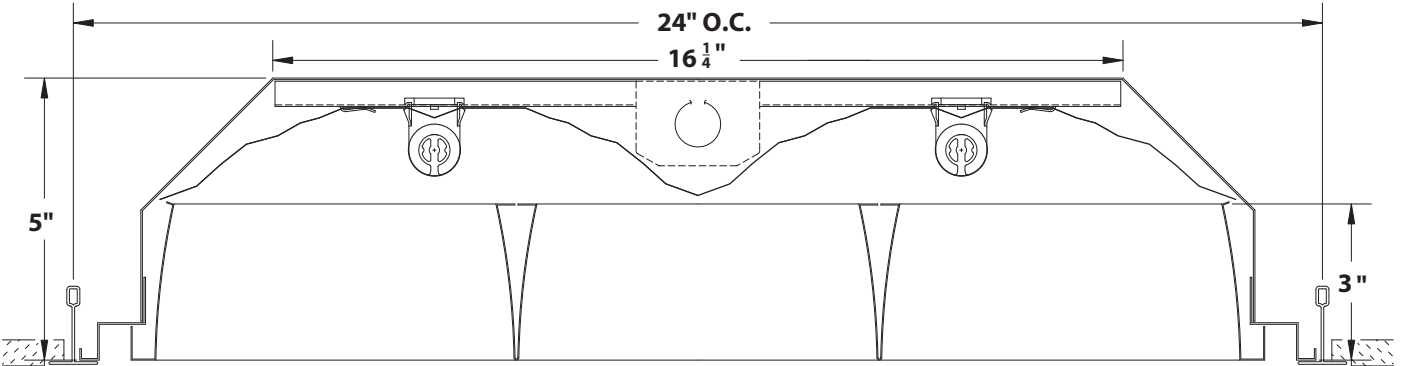
Prefix:
RPT

Fixture Series (Name):
Rec. Parabolic Troffer



2-Lamp T8 2x2 Rec. Parabolic Troffer Cross Section Shown

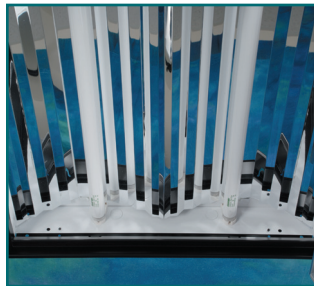
Innovative Lighting Ideas
Energy Efficient Solutions



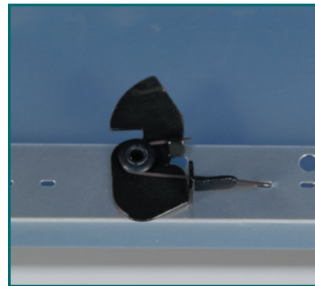
ORDERING GUIDE											
CATEGORY	SERIES	SIZE	REFLECTOR MATERIAL	REFLECTOR PHOTOMETRY	NUMBER OF LAMPS	LAMP TYPE (WATTAGE)	BALLAST VOLTAGE	NUMBER OF BALLASTS	LAMPS PER BALLAST	BALLAST FACTOR	OPTIONS
ECS	RPT										
Energy Conservation Series	RPT - REC. PBL. TROFFER	1 - 1x4 2 - 2x2 4 - 2x4	M - MIRO4 (95% TR) E - ENHANCED ALUMINUM (92% TR min.) W - WHITE (91% TR) A - ALUMINUM (87% TR min.) B - BALLAST COVER (White) (83% TR min.) R - MIRO4 MICRO-MATT (95% TR)	F - FOCUSED N - NORMAL S - SPREAD C - CUSTOM OPTICS *N - NORMAL IS STANDARD *(BLANK)=N *C - CUSTOM OPTICS ARE DESCRIBED IN OPTIONS BOX	2 - 2L 3 - 3L 4 - 4L	32 32w T8 54 54w T5HO	120 - 120v, 60 Hz 277 - 277v, 60 Hz 347 - 347v, 60 Hz UNV - 120v - 277v, 60 Hz 480 - 480v, 60 Hz xxx - Less Ballast	S - SLAVE (BLANK) - 1 1 - 1 2 - 2 3 - 3 4 - 4	(BLANK) - 0 1 - 1 2 - 2 3 - 3 4 - 4	L - Low N - Normal H - High	
<p>Photometric data, IES files and all other information is available upon request.</p> <p>309 - 3" Deep Parabolic Louver, Semi-Specular - Low Iridescent 9-Cell Configuration (1x4 & 2x2) 312 - 3" Deep Parabolic Louver, Semi-Specular - Low Iridescent 12-Cell Configuration (2x4) 318 - 3" Deep Parabolic Louver, Semi-Specular - Low Iridescent 18-Cell Configuration (2x4)</p> <p>*ADDITIONAL OPTIONS (See "Options" sheet for all available options)</p>											



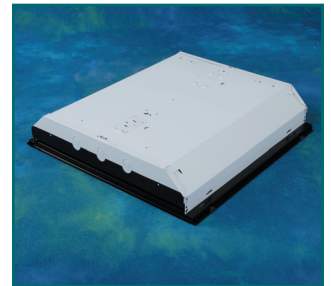
Vossloh Locking Lampholders (Standard)



Multi-Faceted Reflector (Designed for Maximum Efficiency)



Spring-Loaded Cam Latch (Secured to Louver) (Provides Quick Access to Lamps/Ballasts)



Mounting Details (Included in all Housings)

Note: RENOVA products are constantly being improved; therefore, the information shown is subject to change without notice. Always consult your lighting representative or RENOVA Lighting Systems, Inc. for the latest information.

RENOVA Lighting Systems, Inc. 20 Middlesex Road Mansfield, MA 02048 (800) 635-6682 www.renova.com