

Category: ECS
Energy
Conservation
Series

Prefix:
SMV

Fixture Series (Name):
Shielded Mini Vapor Tight



Innovative Lighting Ideas
Energy Efficient Solutions



Shielded Mini Vapor Tight Series general purpose fluorescent luminaire

GENERAL DESCRIPTION

The Shielded Mini Vapor Tight (SMV) Series has been developed for all dust, damp/wet, vapor proof, cold weather and outdoor applications. Fixture can be surface (wall or ceiling), pendant, chain or cable mounted. This series utilizes computer designed reflector technology for optimal fixture efficiency, reduction of energy consumption and improved quality of light. It also provides instant-on operation and offers many other energy saving options.

Typical applications for this type of product are interior and exterior spaces where dust, moisture and vapor infiltration must be avoided. Fixture provides shielded lighting. Applications include:

- Parking Garages, Car Washes, Shipping Docks and Outdoor Locations
- Government / Industrial Facilities, Gas Stations and Subways
- Swimming Pool Facilities, Locker / Shower Rooms
- Food and Drug Handling Areas, Public Areas and Commercial Kitchens

DESIGN FEATURES / SPECIFICATIONS

CONSTRUCTION

- Housing is precision injection molded from fiber-glass reinforced polyester resin. Approval and / or listings as follows:
- UL/CUL/NSF International
- U.S. Department of Agriculture
- Canadian Standards Association
- Achieves IP65 / IP67 Rating (Certain models only)
- Housing matl. is self-extinguishable (ASTM D635-74)
- Internal housing and brackets to be precision die formed from 22 ga. cold rolled steel. Finish to be pre-painted gloss white polyester powder coat.

GASKETING

- New technology molecular structure gasket material is poured into pre-treated housing channel to insure stronger adhesion and to provide maximum protection against moisture and dust.

REFLECTOR

- Precision die formed optics which has been designed for maximum efficiency and photometric properties using the latest CAD software.
- Choice of optics includes focused, normal and spread beam distribution. Consult factory for surface optics design and spacing criteria options.
- Choice of materials include:
 - Alanod Miro4® Enhanced Specular Aluminum, 95% total reflectance, 25 year warranty.
 - High Reflectance White Powder Coated Aluminum, 91% total reflectance, 10 year warranty.
 - Consult factory for all other material choices.

LAMP HOLDERS

- Vossloh-Schwabe® premium type featuring:
 - Anti-vibration internal lamp locking design
 - High temperature resistant ("T" marking).

- Heat and UV blocking shield to prevent degradation of material.
- L/H contact design for optimum lamp pin contact.
- Manufactured to DIN ISO 9001 and IEC standards.

BALLASTS

- All standard ballasts are electronic, energy saving, thermally protected, Class-P, non-PCB, Sound Rated "A", 0 degree (Type 1 Outdoor). Verify with factory for latest information regarding High Temperature (HT) or Extreme Low Temperature (XLT) rated ballast options.
- UL/CSA certified, where applicable. Compliant with Federal Ballast Law (Public Law 100-357, 1988).
- Choice of ballast factors. L=Low, N=Normal, H=High.
- Choice of dedicated, universal or special voltage - Consult factory for available options.
- Warranted by ballast manufacturer. Typical warranty is for 5 years (120-277v) and 3-years (347-480v). Consult factory for latest warranty information.

LATCHES

- Standard Latch - Acetal copolymer offers increased strength over conventional plastic latches.
- Stainless Steel Latch - Designed for maximum maintainability and corrosion resistance. Tamperproof screws & tool available as option.
- Additional latches to achieve IP65 and IP67 Rating. Consult factory for all available configurations.

LAMP SHIELDING (LENS)

- Clear Acrylic with a "stepped" design to provide general lamp obscuration. Lenses are injection-molded for precision fit.
- Smooth exterior surface for ease of cleaning.
- "HI" - High Impact "DR" Additive to resist breakage is optional.



LAMPS

- Supplied by others unless otherwise specified.
- Lamp type, CRI ratings, temperature colors, lamp life ratings are all viable options which can be supplied - Consult factory for information.

MOUNTING

- The luminaire may be surface mounted or may be suspended by pendant, threaded rod, chain or cable. (Mounting hardware supplied by others unless otherwise specified).
- Spring-Mount Brackets Option (Stainless Steel) provides for easy installation. This option can be factory or field installed. - Consult factory.

ELECTRICAL

- Luminaire is bi-national listed and labeled (UL 1598 and CSA C22.2 No. 250.0-00) and is suitable for wet locations.
- Product includes luminaire disconnect as specified in NEC 410.73(G), 2005 Edition, and CEC part I, rule 30-308(4), 2006 Edition.

QUALITY CONTROL

- All fixtures and retrofit kits are designed, fabricated, assembled and tested at RENOVA's manufacturing facility. All fixtures are inspected and labeled prior to shipment.

GUARANTEE

- RENOVA warrants all fixtures to be free of defects in manufacturing and workmanship for a period of (1) year from date of purchase. This warranty excludes damage of any kind resulting from improper installation, misuse, abuse, accidents, mis-application, or natural disasters. Please refer to the "Terms and Conditions" section of the RENOVA website for additional information.

Note: RENOVA products are constantly being improved; therefore, the information shown is subject to change without notice. Always consult your lighting representative or RENOVA Lighting Systems, Inc. for the latest information.

RENOVA Lighting Systems, Inc. 20 Middlesex Road Mansfield, MA 02048 (800) 635-6682 www.renova.com

Category: ECS
Energy Conservation Series

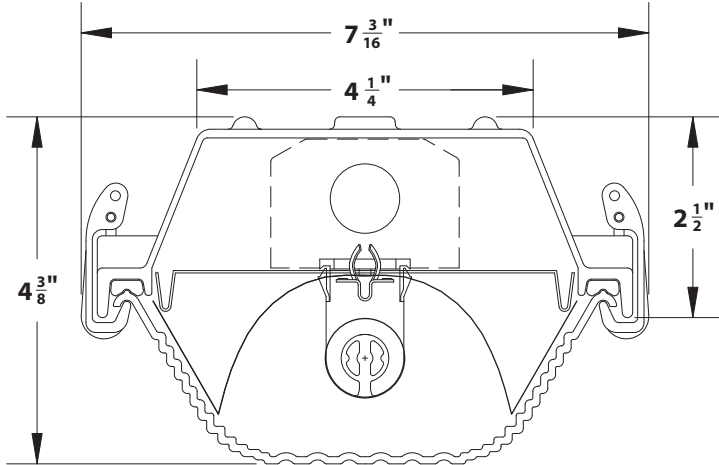
Prefix:
SMV

Fixture Series (Name):
Shielded Mini Vapor Tight

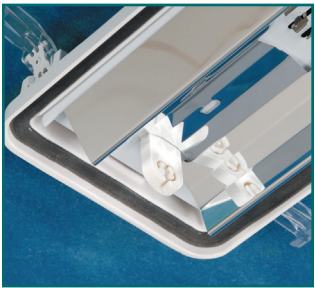


Innovative Lighting Ideas
Energy Efficient Solutions

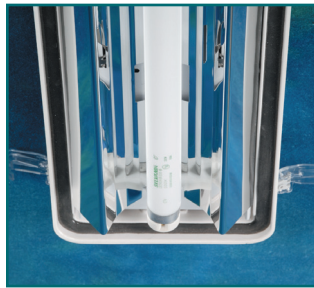
1-Lamp T8 Shielded Mini Vapor Tight Cross Section Shown



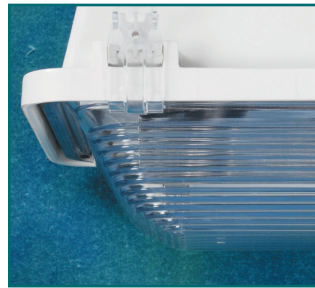
ORDERING GUIDE											
CATEGORY	SERIES	SIZE	REFLECTOR MATERIAL	REFLECTOR PHOTOMETRY	NUMBER OF LAMPS	LAMP TYPE (WATTAGE)	BALLAST VOLTAGE	NUMBER OF BALLASTS	LAMPS PER BALLAST	BALLAST FACTOR	OPTIONS
ECS	SMV										
Energy Conservation Series	SMV - SHIELDED MINI VAPOR TIGHT	2 - 24" 4 - 48" 8 - 96"	M - MIRO4 (95% TR) E - ENHANCED ALUMINUM (92% TR min.) W - WHITE (91% TR) A - ALUMINUM (87% TR min.) R - MIRO4 MICRO-MATT (95% TR)	S - SPREAD *S - SPREAD IS STANDARD *(BLANK)=S	1 - 1L 2 & 4 HSG 2 - 2L 8 HSG	17 17w T8 32 32w T8 14 14w T5 28 28w T5 24 24w T5HO 54 54w T5HO	120 - 120v, 60 Hz 277 - 277v, 60 Hz 347 - 347v, 60 Hz UNV - 120v - 277v, 60 Hz 480 - 480v, 60 Hz xxx - Less Ballast	(BLANK) - 1 2 - 2	1 - 1 2 - 2	L - Low N - Normal H - High	
*ADDITIONAL OPTIONS (See "Options" sheet for all available options)											
Photometric data, IES files and all other information is available upon request.											



Vossloh Locking Lampholders (Standard)



Multi-Faceted Reflector (Designed for Maximum Efficiency)



Standard Lens (High-Impact Clear "Ribbed" Acrylic)



Mounting Details (Included in all Housings)

Note: RENOVA products are constantly being improved; therefore, the information shown is subject to change without notice. Always consult your lighting representative or RENOVA Lighting Systems, Inc. for the latest information.

RENOVA Lighting Systems, Inc. 20 Middlesex Road Mansfield, MA 02048 (800) 635-6682 www.renova.com