

Category: ECS  
Energy  
Conservation  
Series

Prefix:  
**VTG**

Fixture Series (Name):  
**Vantage**



Innovative Lighting Ideas  
Energy Efficient Solutions



## Vantage Series high performance general purpose fluorescent luminaire

### GENERAL DESCRIPTION

The Vantage (VTG) Series has been developed as an energy efficient alternative to older fluorescent and HID lighting systems. This series utilizes "High Intensity Fluorescent" technology to dramatically reduce energy consumption, improve quality of light and provide instant-on operation. It also offers many switching and sensor options.

Typical applications for this type of product are interior spaces with high mounting heights where high lumen output is required.

Applications include:

- Indoor Tennis Courts and Sports Arenas
- Retail and Commercial Applications
- School Gymnasiums, Auditoriums and Convention Centers

### DESIGN FEATURES / SPECIFICATIONS

#### CONSTRUCTION

- Precision die formed from 22 ga. cold rolled steel.
- Mechanically fastened or resistance welded depending on model.
- Heavy gauge steel (CRS) or aluminum alloy may be custom ordered.
- Finish to be pre-painted gloss white polyester powder coat.
- Post-painted polyester powder coat finishes are available. Consult factory for all special colors and finishes.

#### REFLECTOR

- Precision die formed optics which has been designed for maximum efficiency and photometric properties using the latest CAD software.
- Choice of optics includes focused, normal and spread beam distribution. Consult factory for custom optics design and spacing criteria options.
- Choice of materials include:
  - Alanod Miro4® Enhanced Specular Aluminum, 95% total reflectance, 25 year warranty.
  - Enhanced Specular Aluminum, 92% total (min.) reflectance, 25 year warranty.
  - High Reflectance White Powder Coated Aluminum, 91% total reflectance, 10 year warranty.
  - Polished Aluminum, 87% total (min.) reflectance, 25 year warranty.
  - Consult factory for availability of all other material choices.

#### LAMP HOLDERS

- Vossloh-Schwabe® premium type featuring:
  - Anti-vibration internal lamp locking design
  - High temperature resistant ("T" marking).
  - Heat and UV blocking shield to prevent degradation of material.
  - Multi-point contact design for optimum lamp pin contact.
  - Produced in accordance with DIN ISO 9001 and IEC standards.

#### BALLASTS

- All standard ballasts are electronic, energy saving, thermally protected, Class-P, non-PCB, Sound Rated "A", 0 degree (Type 1 Outdoor). Verify with factory for latest information regarding High Temperature (HT) or Extreme Low Temperature (XLT) rated ballast options.
- UL/CSA certified, where applicable. Compliant with Federal Ballast Law (Public Law 100-357, 1988).
- Choice of ballast factors. L=Low, N=Normal, H=High.
- Choice of dedicated, universal or special voltage - Consult factory for available options.
- Warranted by ballast manufacturer. Typical ballast warranty is for 5 years (120-277v) and 3-years (347-480v). Consult factory for latest warranty information.

#### LAMPS

- Supplied by others unless otherwise specified.
- Factory installed if required - Consult factory.
- Lamp type, CRI ratings, temperature colors, lamp life ratings are all viable options which can be supplied - Consult factory for information.



#### LAMP SHIELDING

- Lamp shielding options include:
  - Heavy duty powder coated or zinc-plated wire guards.
  - Flat or drop dish lenses, clear acrylic, clear polycarbonate, high light transmission white, prismatic and linear prism lenses. Consult factory for all available options.
  - Louvers and cross-blade baffles - Consult factory.

#### MOUNTING

- The luminaire may be surface mounted or may be suspended by pendant, threaded rod, hook, chain or cable.

#### ELECTRICAL

- Luminaire is bi-national listed and labeled (UL 1598 and CSA C22.2 No. 250.0-00) and is suitable for damp locations.
- Product includes luminaire disconnect as specified in NEC 410.73(G), 2005 Edition, and CEC part I, rule 30-308(4), 2006 Edition.

#### QUALITY CONTROL

- All fixtures and retrofit kits are designed, fabricated, assembled and tested at RENOVA's manufacturing facility. All fixtures are inspected and labeled prior to shipment.

#### GUARANTEE

- RENOVA warrants all fixtures to be free of defects in manufacturing and workmanship for a period of (1) year from date of purchase. This warranty excludes damage of any kind resulting from improper installation, misuse, abuse, accidents, mis-application, or natural disasters. Please refer to the "Terms and Conditions" section of the RENOVA website for additional information.

Note: RENOVA products are constantly being improved; therefore, the information shown is subject to change without notice. Always consult your lighting representative or RENOVA Lighting Systems, Inc. for the latest information.

**RENOVA Lighting Systems, Inc. 20 Middlesex Road Mansfield, MA 02048 (800) 635-6682 www.renova.com**

Category: ECS  
Energy Conservation Series

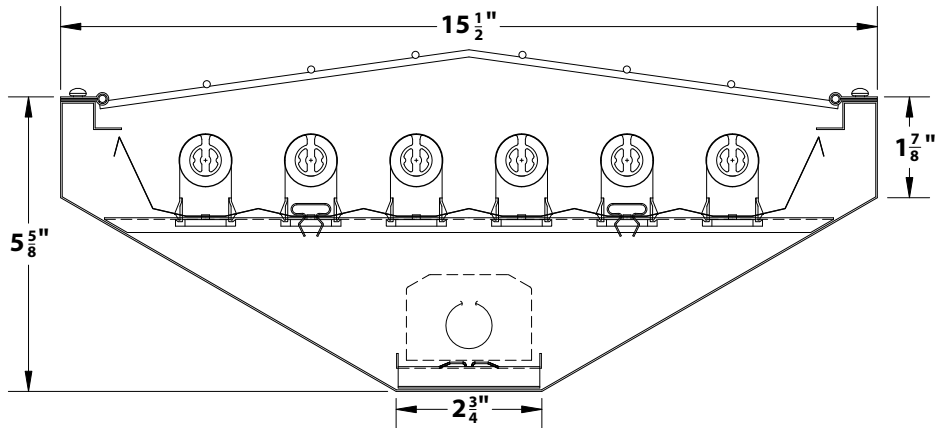
Prefix:  
**VTG**

Fixture Series (Name):  
**Vantage**



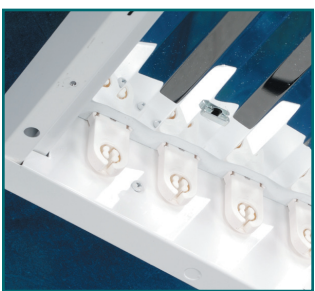
Innovative Lighting Ideas  
Energy Efficient Solutions

**6-Lamp T8 Vantage Cross Section Shown**

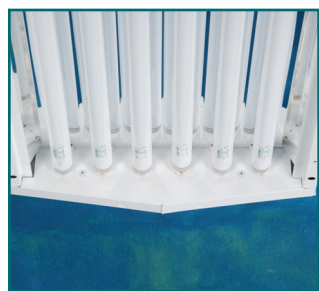


**ORDERING GUIDE**

CATEGORY	SERIES	SIZE	REFLECTOR MATERIAL	REFLECTOR PHOTOMETRY	NUMBER OF LAMPS	LAMP TYPE (WATTAGE)	BALLAST VOLTAGE	NUMBER OF BALLASTS	LAMPS PER BALLAST	BALLAST FACTOR	OPTIONS
<b>ECS</b>	<b>VTG</b>										
Energy Conservation Series	VTG - VANTAGE	4 - 48" 8 - 96"	M - MIRO4 (95% TR) E - ENHANCED ALUMINUM (92% TR min.) W - WHITE (91% TR) A - ALUMINUM (87% TR min.) R - MIRO4 MICRO-MATT (95% TR)	F - FOCUSED N - NORMAL S - SPREAD C - CUSTOM OPTICS  *N - NORMAL IS STANDARD *(BLANK)=N *C - CUSTOM OPTICS ARE DESCRIBED IN OPTIONS BOX	4 - 4L 5 - 5L 6 - 6L  8 - 8L 10 - 10L 12 - 12L	32 32w T8 54 54w T5HO	120 - 120v, 60 Hz 277 - 277v, 60 Hz 347 - 347v, 60 Hz UNV - 120v - 277v, 60 Hz 480 - 480v, 60 Hz xxx - Less Ballast	(BLANK) - 1 2 - 2 3 - 3 4 - 4 5 - 5 6 - 6	1 - 1 2 - 2 3 - 3 4 - 4	L - Low N - Normal H - High	
<p>Photometric data, IES files and all other information is available upon request.</p> <p><b>OOW</b> - Open Style <b>OWW</b> - White Wire-Guard <b>AOW</b> - Clear Acrylic Lens <b>AWW</b> - White Wire-Guard &amp; Clear Acrylic Lens <b>*ADDITIONAL OPTIONS</b> (See "Options" sheet for all available options)</p>											



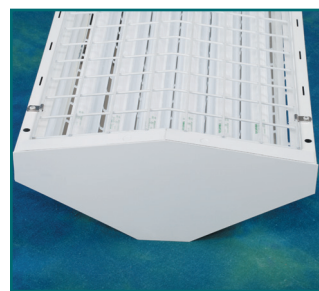
Vossloh Locking Lampholders (Standard)



Multi-Faceted Reflector (Designed for Maximum Efficiency)



Aluminum Hinge (Designed to Keep Wireguard in Place During Heavy Abuse)



Optional Lens / Wireguard Shown

Note: RENOVA products are constantly being improved; therefore, the information shown is subject to change without notice. Always consult your lighting representative or RENOVA Lighting Systems, Inc. for the latest information.

**RENOVA Lighting Systems, Inc.** 20 Middlesex Road Mansfield, MA 02048 (800) 635-6682 www.renova.com