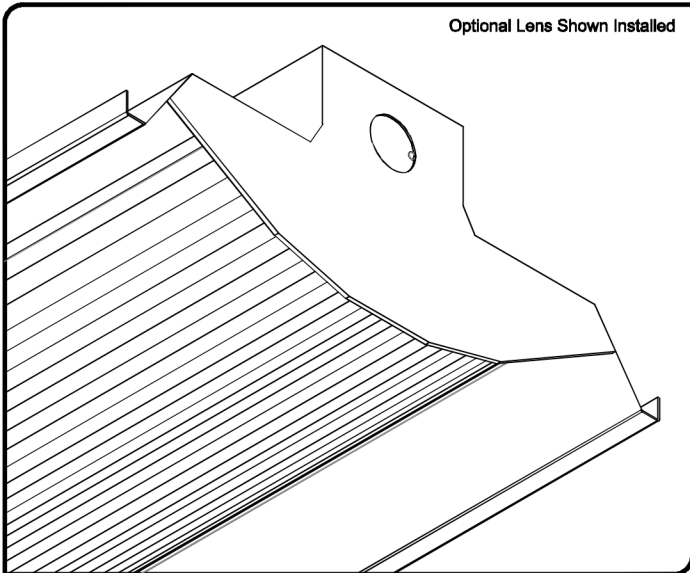




Series: ULT - UltraLyte LED Series	Fixture Type: Surface Mount / Suspended
--	---

Project Name	Fixture Type	Catalog Number	Quantity



Optional Lens Shown Installed

Design Features / Specifications

CONSTRUCTION:

- Housing to be manufactured from code-gauge, die-formed aluminum alloy.
- All components are mechanically fastened for strength and rigidity.
- Electrical Knock-Outs (EKO's) are provided in end caps and housing.

REFLECTOR:

- Reflectors are inherent and is part of the housing design. Finish is high-reflectance specular silver (95% T.R.)
- Driver Cover is secured into housing with custom designed thumb nuts for ease of maintenance.

FINISH:

- All housings and componts manufactured from an aluminum alloy which offers light weight and a high resistance to corrosion.
- Gloss White polyester (pre-paint) powder coat baked enamel is standard.
- Custom colors and finishes are available as an option (including color-matching).

LED's / OPTICS:

- High performance LED boards manufactured specifically for interior lighting. LED boards feature the latest mid-power LED's for maximum performance, efficiency and longevity.
- Standard color temperatures offered are 3500K and 4000K. Other optional color temperatures available are 3000K and 5000K. 80 CRI (Min.). RoHS Compliant.
- Always consult RENOVA for the latest developments and improvements concerning LED's and Optics.

DRIVERS:

- Electronic, constant current type. Universal voltage (120v-277v) is standard.
- 0-10v Low Voltage, dimmable. 10%-100% (Standard). 0%-100% (Optional).
- Step-Dim and Line Voltage Drivers (Specify Voltage) are optional.
- Suitable for dry and damp locations. UL Recognized Class 2, RoHS Compliant.

LENS / DIFFUSER:

- Custom extruded from special blend of 100% virgin acrylic & high light transmission / LED diffusing polymer. 30% DR additive used to increase resistance to breakage.
- Extruded linear ribs provide clean, aesthetic architectural look.
- Lens thickness to be 0.080" (Standard). Consult factory for special requirements.

MOUNTING:

- Fixtures are designed to be surface mounted, or suspended using pendant, aircraft cable, or jack chain. Consult factory for all other special mounting conditions.

ELECTRICAL:

- Surface / Suspended fixtures are UL/CUL Dry/Damp Location Listed and Labeled.
- LM80 performance for 50,000+ hours.
- Bi-Level dimming option allows 50% power reduction for compliance with common energy codes.
- Driver disconnect provided where required to comply with US and Canadian codes.

QUALITY CONTROL:

- All fixtures are designed, fabricated, painted, assembled, tested, packaged and shipped from RENOVA's manufacturing facility in Mansfield, MA (USA).

WARRANTY:

- 5-Year limited warranty. Please refer to RENOVA's website at www.renova.com/sales/warranties for the latest warranty terms and conditions.

The UltraLyte Series (special application Industrial) LED fixture family has been developed to dramatically improve energy efficiency and quality of light using Solid State Lighting (SSL) technologies. The UltraLyte Series LED fixtures provide an attractive, energy efficient, contemporary look which has been specifically designed to replace existing fluorescent lighting or for use in new construction. Comfortable, low glare, uniform lighting is attributed to this style of fixture. Typical applications for this type of product are interior spaces.

Applications Include:

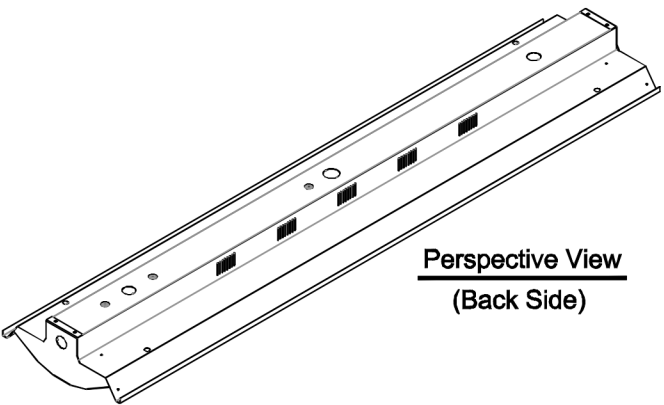
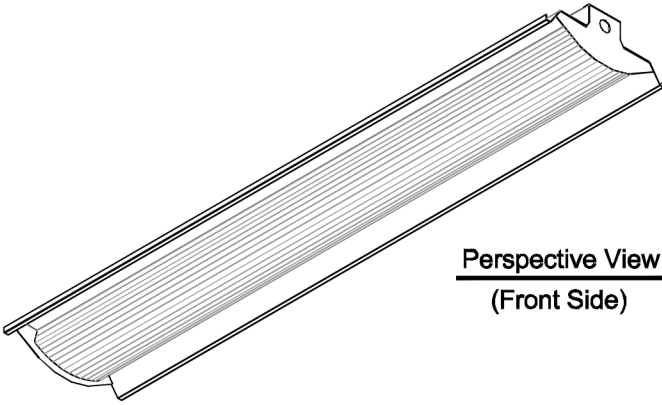
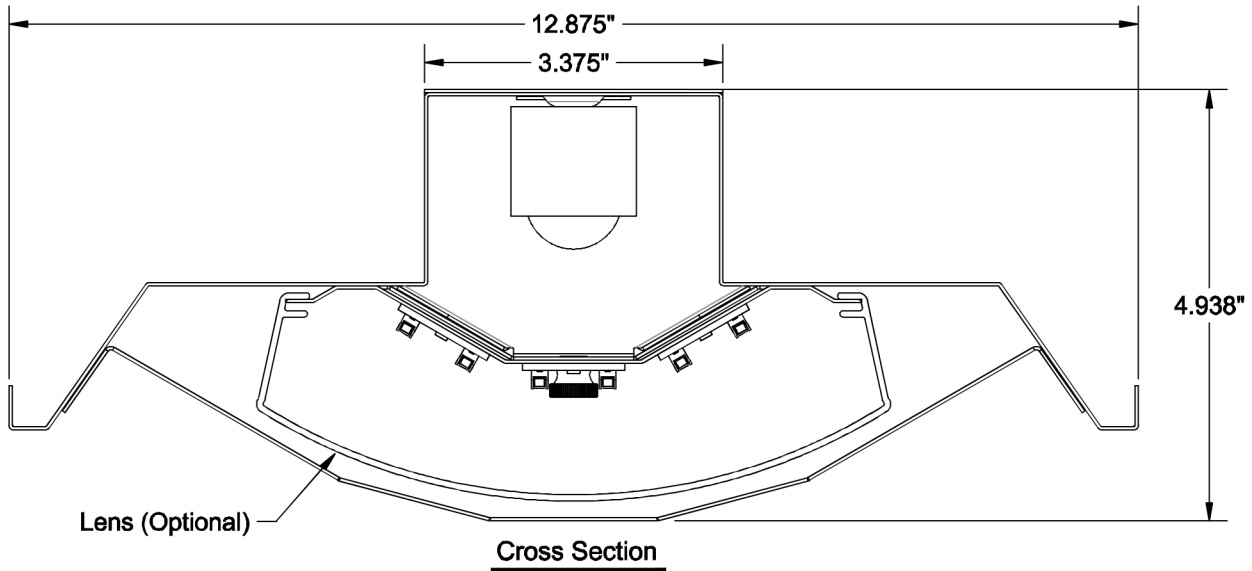
- | | |
|---|--|
| <ul style="list-style-type: none"> • Retail Environments • Commercial Spaces • Industrial Spaces • Schools, Colleges and Universities | <ul style="list-style-type: none"> • Hospitals / Healthcare Facilities • Government Facilities • Manufacturing Spaces |
|---|--|



*Note: RENOVA products are constantly being improved; therefore, the information shown is subject to change without notice. Always consult your lighting representative or RENOVA Lighting Systems, Inc. for the latest information



Series: **ULT - UltraLyte LED Series** Fixture Type: **Surface Mount / Suspended**



Ordering Information

Prefix / Series	Size	Optics (Distribution)	Lumen Output	Driver Voltage	Driver Type	Color Temp.	Lens (Diffuser)	Housing Color / Finish	Fixture Construction	Options
ULT ULT - UltraLyte Series	2 - 24" 3 - 36" 4 - 48" 6 - 72" 8 - 96"	N - Normal C - Custom (Specify)	L015 - 1500 L020 - 2000 L030 - 3000 L040 - 4000 L050 - 5000 L060 - 6000 L070 - 7000 L080 - 8000 L090 - 9000 L100 - 10000 L110 - 11000 L120 - 12000 L130 - 13000 L140 - 14000 L150 - 15000 L160 - 16000 LC - Custom (Specify)	UNV - Universal Voltage (120v - 277v) 120 - 120v 277 - 277v 347 - 347v 480 - 480v	DM - 0-10v Low Voltage Dimming (10%-100%) (Standard) SD - Step Dimming (50% / 100%) LV - Line Voltage Dimming (Specify Voltage) 120v or 277v	C30 - 3000K * C35 - 3500K C40 - 4000K C50 - 5000K * (*) = Special Order	ND - No Diffuser, "Open" Fixture (Standard) FA - Frosted Acrylic, Linear Prism (Optional) CS - Custom (Specify)	GW - Gloss White (Standard) SS - Specular Silver (Optional) CS - Custom Finish (Specify)	(BLANK) - Standard SCA - NYC / SCA Specifications	VC - "V"-Cables (Used to Suspend Fixture)

*LED Dimming Drivers have adjustable (programmable) output capability. A wide range of input watts / lumen output can be adjusted up or down on all models to suit a particular application. Always consult factory for the latest information.

PRIOR TO REPLACING AN EXISTING FLUORESCENT LIGHTING FIXTURE, PLEASE NOTE THE FOLLOWING:

Fluorescent lamps contain small amounts of mercury. Such lamps are labeled "Contains Mercury" and / or with the symbol "Hg". Lamps that contain mercury must be disposed of in accordance with local requirements. Information regarding lamp recycling and disposal can be found at www.lamprecycle.org.



*Photometric data, IES files and all other information is available upon request.

RENOVA Lighting Systems, Inc. • 20 Middlesex Road, Mansfield, MA 02048 • (800) 635-6682 • www.renova.com