

50 Watt Multi-Purpose LED Area Light

Prefix: LEDMPAL50

The LEDMPAL series is a group of architectural LED area luminaires designed to illuminate parking areas, pathways, building facades, loading docks, and a wide variety of other large, general site lighting applications. Multiple mounting options make the LEDMPAL a versatile luminaire for flood lighting, pole-, ground- and wall-mounted area lighting, and other outdoor lighting requirements.



project:

fixture type:

catalog #:

quantity:

ORDERING GUIDE

LEDMPAL50			
MODEL	MOUNTING OPTIONS	COLOR TEMPERATURE	SHIELDS & WIRE GUARDS (SEE LINE DRAWINGS ON PAGE 3)
LEDMPAL50 - 50 Watt Multi-Purpose LED Area Light	Y - Yoke Mount K - Knuckle Mount	3K - 3000k 4K - 4000k 5K - 5000k	MPAL50-FGS - Full Glare Shield, 15W MPAL50-HGS - Half Glare Shield, 15W MPAL50-WG - Wire Guard, 15W

FEATURES

- Available in 3000k (warm white), 4000K (neutral white) and 5000K (cool white).*
- Long-life LEDs provide 69,000 hours of operation with at least 70% of initial lumen output (L70).**
- Delivers 5,882 lumens & 118 lumens per watt (LPW) at 3000k; 6,031 lumens and 121 LPW at 4000k; and 6,179 lumens & 124 LPW at 5000k.*
- Standard optic provides an IES roadway type V distribution, or a 7V (vertical) x 7H (horizontal) NEMA floodlight distribution.
- Universal 120-277 AC voltage (50-60Hz) is standard.
- Power factor > 0.90.
- Total harmonic distortion < 20%.
- Color rendering index > 80.
- Optional full glare shields, half glare shields & wire guards are available.
- Die cast aluminum housing with durable, dark bronze powder coat finish, and a heat-resistant polycarbonate lens.
- Wireway enclosure is sealed with a water-tight, silicon rubber gasket.
- Effective projected areas (EPA's) are:
 - Front = 0.13 square feet
 - Side = 0.09 square feet
 - Face = 0.43 square feet
- Easy installation in new construction or retrofit applications.

WARRANTY & LISTINGS

- cULus listed for wet locations (-30°C to 40°C / -22°F to 104°F)
- IP65 rated.
- DLC standard approved.
- Complies with FCC Part 15, Class B.
- Complies with EN61000-4-5, surge immunity (1kV).
- 5-year warranty on all electronics and housing.

MOUNTING OPTIONS

- Yoke-mount option provides secure attachment to flat surfaces.
- Aluminum die-cast knuckle-mount option is installed on a junction box. Includes 1/2" NPS stem with locking nut.

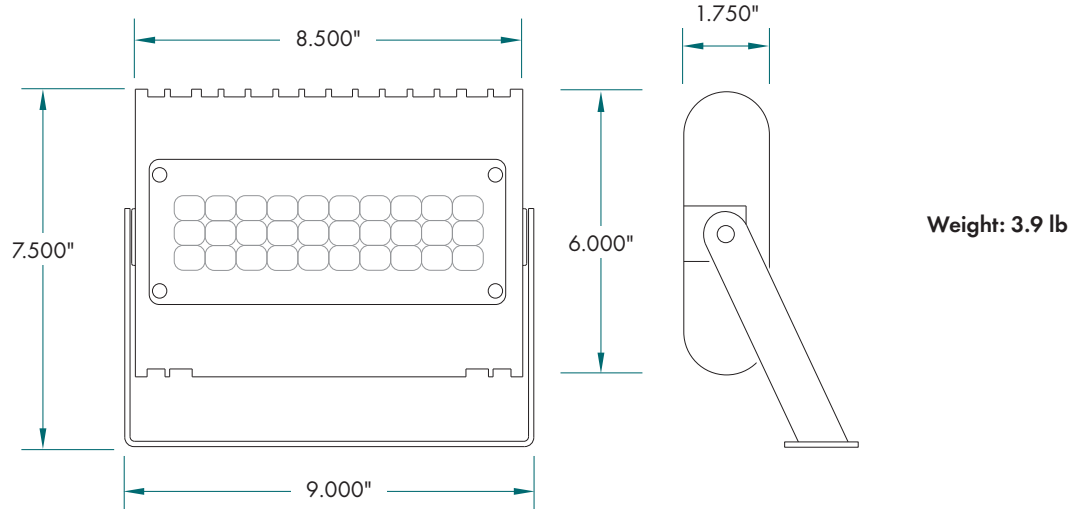
* Contact factory for other color temperatures and lumen packages

** L₇₀ hours are IES TM-21-11 calculated hours.

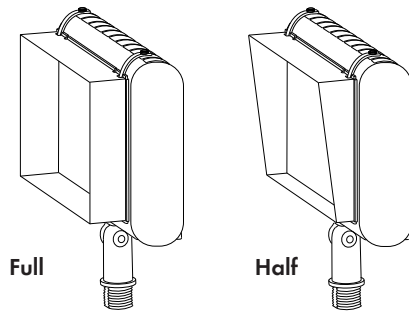
50 Watt Multi-Purpose LED Area Light

Prefix: LEDMPAL50

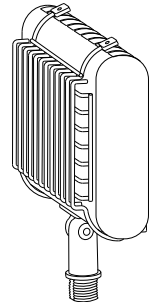
Dimensions



Shields



Wire Guards



Electrical Data

Model	Color Temp.	CRI ¹	Luminaire Lumens	Luminaire Watts	Lumens/Watt	Input Voltage ²	Input Current			Power Factor	THD ³	L ₇₀ Hours ⁴
							120V	240V	277V			
LEDMPAL50-3K	3000k	>80	5,882	50	118	120-277	0.42	0.21	0.18	>90%	<20%	69,000
LEDMPAL50-4K	4000k	>80	6,031	50	121	120-277	0.42	0.21	0.18	>90%	<20%	69,000
LEDMPAL50-5K	5000k	>80	6,179	50	124	120-277	0.42	0.21	0.18	>90%	<20%	69,000

¹ Color rendering index.

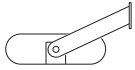
² All 50-60Hz.

³ Total harmonic distortion.

⁴ L₇₀ refers to the number of hours at which lumen output declines to 70% of the initial level. L₇₀ hours are IES TM-21-11 calculated hours.

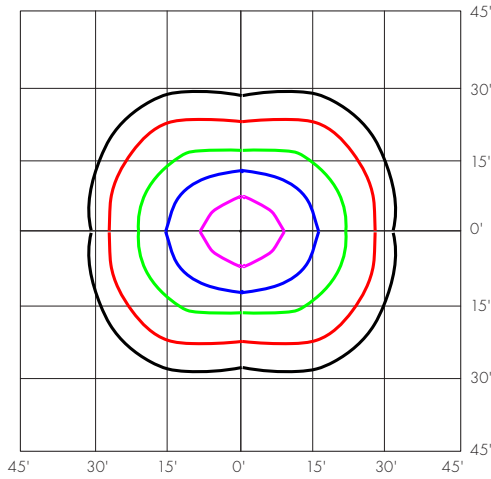
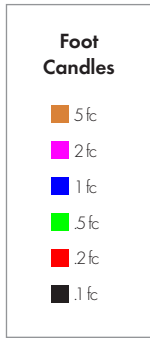
Photometric Data

Luminaire Orientation:



LEDMPAL50-5K
(6,179 Lumens , Type V Distribution)

BUG Rating: B2-U1-G1



Zone	Lumens	% Luminaire
FL - Front-Low (0-30)	800	13%
FM - Front-Medium (30-60)	1,684	27%
FH - Front-High (60-80)	518	8%
FVH - Front-Very High (80-90)	61	1%
Total Forward Light	3,063	50%
BL - Back-Low (0-30)	808	13%
BM - Back-Medium (30-60)	1,691	27%
BH - Back-High (60-80)	538	9%
BVH - Back-Very High (80-90)	67	1%
Total Back Light	3,104	50%
UL - Up-Low (0-30)	3	0%
UM - Up-Medium (30-60)	9	0%
Total Up Light	12	0%
TOTAL LUMENS	6,179	100%

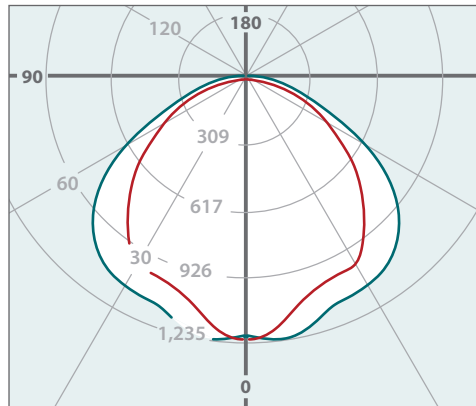
Notes: (1) Isofootcandle plots depict initial footcandles at grade.
(2) Gridlines represent units of mounting height of 15 feet.

Luminaire Orientation:



Maximum Candela:
2,239

Horizontal
Vertical



NEMA Floodlight Type Data

Field Angles	
Horizontal	160°
Vertical	159°
NEMA Type	
Horizontal	7H
Vertical	7V