

The Geometrix Series LED direct/indirect architectural luminaire family has been developed to dramatically improve energy efficiency and quality of light using Solid State Lighting (SSL) technologies. The Geometrix Series LED fixtures provide an attractive, energy efficient, architectural look which has been specifically designed to replace existing fluorescent lighting or for use in new construction. Comfortable, low glare, uniform lighting is attributed to this style of fixture. Typical applications for this type of product are interior spaces. Applications include:

- Retail Environments
- Commercial Spaces
- Schools, Colleges and Universities
- Hospitals and Healthcare Facilities
- Government Facilities



Optional SNS200
Wireless Sensor
Shown Installed

project:

fixture type:

catalog #:

quantity:

ORDERING GUIDE

GEO	-	73	-	-	-	-	-	-	-	-
PREFIX/SERIES	SIZE	OPTICS (DISTRIBUTION)	LUMEN OUTPUT	DRIVER VOLTAGE	DRIVER TYPE	COLOR TEMP.	DIFFUSER TYPE	TRIM COLOR AND FINISH	ROW CONFIGURATION	FIXTURE OPTIONS
GEO - Geometrix Series LED Linear Luminaire	2 - 24" 3 - 36" 4 - 48" 6 - 72" 8 - 96"	73 - 70% Uplight 30% Downlight	L015 - 1500 lm L020 - 2000 lm L030 - 3000 lm L040 - 4000 lm L050 - 5000 lm L060 - 6000 lm L070 - 7000 lm L080 - 8000 lm L090 - 9000 lm L100 - 10000 lm L110 - 11000 L120 - 12000 lm LC - Custom (Specify)	UNV - Universal Voltage (120v - 277v) (60 Hz) 120 - 120v 277 - 277v 347 - 347v* *Special order only	DM - 0-10v Low Voltage Dimming (10% - 100%) (Standard) DM1 - 0-10v Low Voltage Dimming (1% - 100%) SD - Step Dimming (50% - 100%) LV1 - Line Voltage Dimming (120v) LV2 - Line Voltage Dimming (277v)	C27 - 2700 K* C30 - 3000 K* C35 - 3500 K C40 - 4000 K C50 - 5000 K* *Special Order Only	AF1 - Frosted, Acrylic Lens (Flat Sheet) with Fine Texture (Standard) CS - Custom (Specify)	TW - Fine Textured White Powder Coat (Standard) CS - Custom (Specify)	IND - Individual END - End of Row MID - Middle of Row	4Pxx - 1/4" I.P. Pendant with Standard Canopy (White Finish) ACxx - Adjustable Aircraft Cable with Standard Canopy (White Finish) 1CWxx - Single Circuit Power Cord (B/W/G) (White) CS - Custom (Specify) (*xx = Total Length in Inches) QP1 - Single Circuit Quick Plug Wiring Harness - 12 GA. 20 amp EMPK - Emergency Battery Back-Up* SNS200 - Occupancy/Vacancy/Daylight Harvesting Wireless Sensor * Sw / 90 min. duration is standard. Other options are available

PRIOR TO REPLACING AN EXISTING FLUORESCENT FIXTURE, PLEASE NOTE THE FOLLOWING:

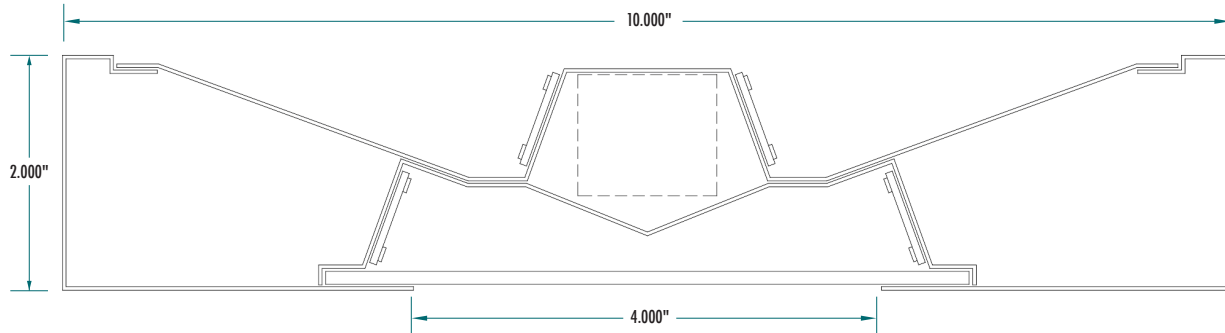


Fluorescent lamps contain small amounts of mercury. Such lamps are labeled "Contains Mercury" and / or with the symbol "Hg." Lamps that contain mercury must be disposed of in accordance with local requirements. Information regarding lamp recycling and disposal can be found at www.lamprecycle.org.

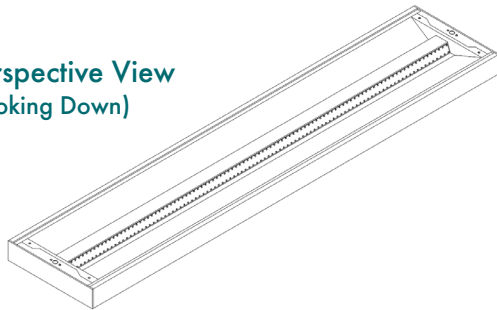
** GEO Series luminaires have a lumen output range from 1500 Lumens through 12,000 Lumens depending on length of fixture and driver/board configuration. Consult factory for correct catalog number on all custom configured lighting products.

GEO Cross Section

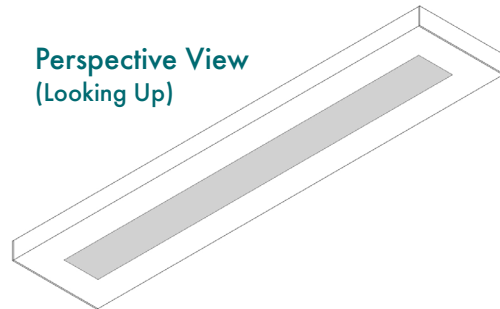
Prefix: GEO



Perspective View
(Looking Down)



Perspective View
(Looking Up)



CONSTRUCTION

- Precision die-formed from code-gauge cold rolled steel.
- Resistance (spot) welded and mechanically fastened.
- Consult factory for all options or any modifications needed.

FINISH

Housing

- Fine textured white polyester powder coat baked enamel as standard. Consult factory for all other finish/color options

Reflector / Optics

- High Reflectance Matte White polyester powder coat baked enamel for extreme durability and superior optical efficiency and diffusion (95% T.R.).

LEDs / OPTICS

- High performance LED boards manufactured specifically for interior lighting. LED boards feature the latest mid-power LEDs for maximum performance, efficiency and longevity.
- Standard color temperatures offered are 3500K and 4000K. Consult factory for all other color temperature options. 80 CRI (Minimum). RoHS Compliant.

- Always consult factory for the latest developments and improvements concerning LEDs and Optics.

DRIVERS

- Electronic, high efficiency, programmable, linear, constant current type. Universal voltage 120v-277v (Standard).
- Features include constant lumen maintenance, end of life indication and LED thermal protection.
- 0-10v dimmable. 10%-100% dimming (Standard) / 1%-100% dimming (Optional).
- Factory programmed drive current, Dim to Off function and Soft Start function.
- Step-Dim and Line Voltage Dimming Drivers are optional.
- Auxiliary output (Optional) used to power various sensors / wireless modules.
- Suitable for dry and damp locations.
- UL / CUL Class 2 Recognized, RoHS Compliant.

LENS (DIFFUSER)

- Extruded, clear, 100% virgin frosted acrylic extruded from high light transmission / LED diffusing polymer. Flat lens provides a clean, aesthetic architectural look.

MOUNTING

- Fixtures are designed to be suspended using pendants or adjustable aircraft cable. Consult factory for all other special mounting conditions.

ELECTRICAL

- Fixtures are UL/CUL Listed and labeled for dry / damp locations.
- LM₇₀ performance for 50,000+ hours
- Bi-level dimming option allows 50% power for compliance with common energy codes.
- Driver disconnect provided where required to comply with US & Canadian codes.

QUALITY CONTROL

- All fixtures are designed, fabricated, assembled, tested, packaged and shipped from RENOVA's manufacturing facility in Warwick, RI (USA).

WARRANTY

- 5-Year limited warranty. Please refer to RENOVA's website at www.renova.com/warranties for the latest warranty terms and conditions.

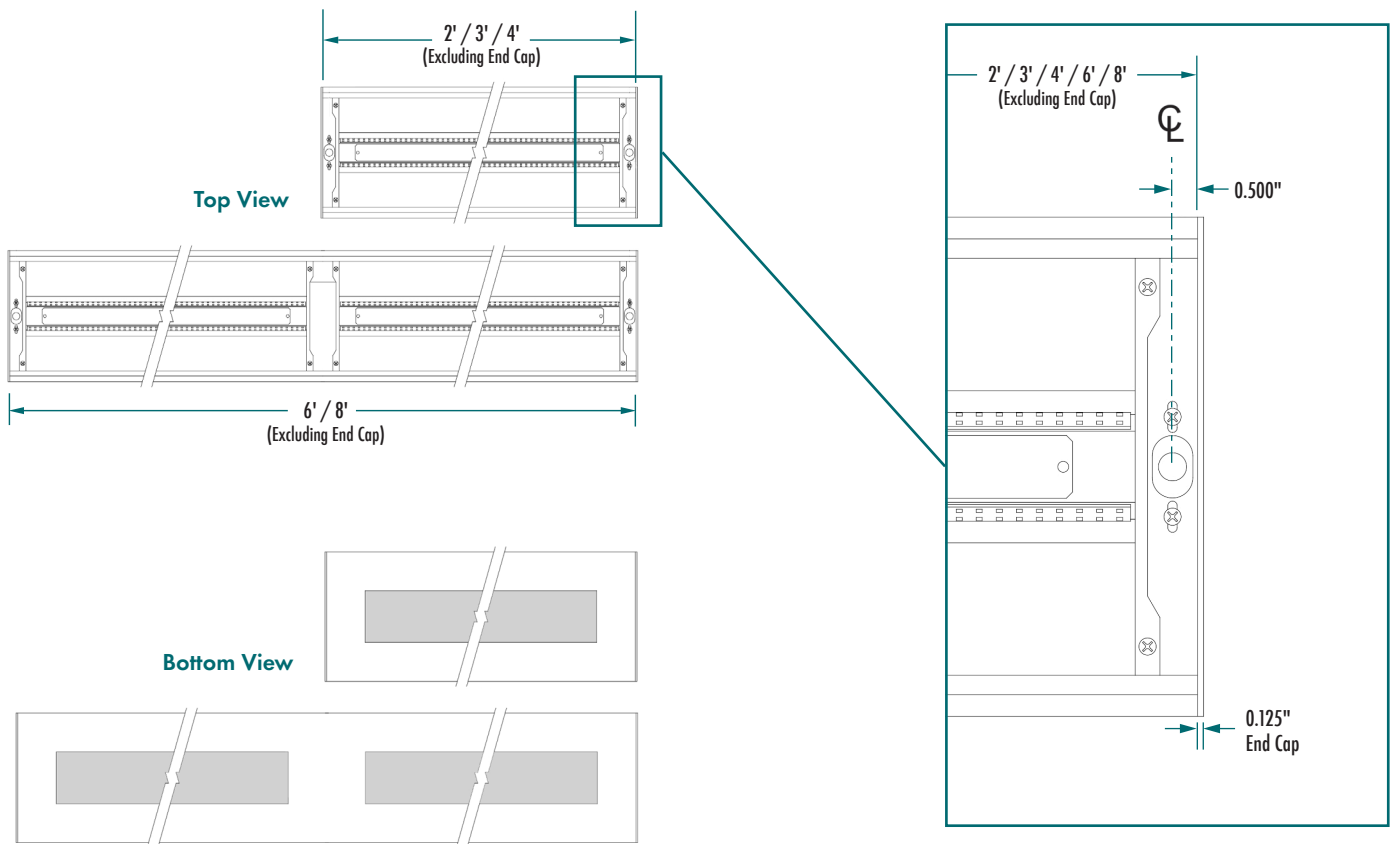
NOTES:

LED Dimming Drivers have adjustable output capability. A wide range of input watts/lumen output can be adjusted up or down on all models to suit a particular application. Always consult factory for the latest information.

Photometric data, IES files and all other information is available on request.

RENOVA products are constantly being improved; therefore the information shown is subject to change without notice. Always consult your lighting representative or RENOVA Lighting Systems, Inc. for the latest information.

GEO Mounting Details/General Fixture Lengths



NOTES:

LED Dimming Drivers have adjustable output capability. A wide range of input watts/lumen output can be adjusted up or down on all models to suit a particular application. Always consult factory for the latest information.

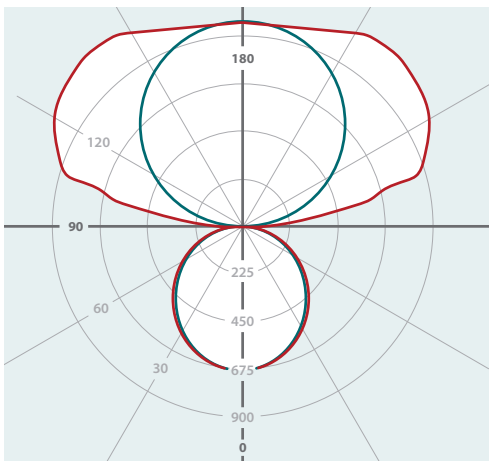
Photometric data, IES files and all other information is available on request.

RENOVA products are constantly being improved; therefore the information shown is subject to change without notice. Always consult your lighting representative or RENOVA Lighting Systems, Inc. for the latest information.



Catalog #: GEO4-73-1060-UNV-DM-C40-AF1-XX-XX-XX
 Photometric Test Report #: 12172513.01
 Delivered Lumens: 6010
 Efficacy (Lumens/Watt): 150.3
 Power: 39.97w @ 120 VAC
 Power Factor: 0.997
 Current THD: 4.07%
 CRI (Ra): 83.8
 CCT: 3985 K
 LED Life: $L_{70} > 60,000\text{hrs}$ / $L_{90} > 36,000\text{hrs}$

Candela Distribution Polar Plot



Along **Across**
 — 180 Deg. Plane — 270 Deg. Plane
 — 0 Deg. Plane — 90 Deg. Plane

Spacing Criteria

SC (Along): 1.23 SC (Across): 1.22

Cone of Light Tabulation

Ht.	Fc	Dia. (Ft)
4'	41.2	4.89'
6'	18.3	7.34'
8'	10.3	9.78'
10'	6.60	12.2'
12'	4.58	14.7'
14'	3.37	17.1'
16'	2.58	19.6'

Coefficients of Utilizations (%)											
Effective Floor Cavity Reflectance 20 Per (pfc=0.20)											
pfc	RCR	80			70			50		30	
		70	50	30	70	50	30	50	30	50	30
	0	6154	6154	6154	5523	5523	5523	4343	4343	3264	3264
	1	5603	5347	5118	5017	4805	4613	3789	3659	2856	2773
	2	5095	4661	4302	4555	4192	3889	3312	3102	2500	2363
	3	4642	4090	3662	4146	3682	3318	2915	2658	2205	2033
	4	4240	3610	3149	3786	3254	2859	2582	2299	1958	1766
	5	3884	3206	2733	3468	2894	2485	2302	2006	1752	1548
	6	3571	2866	2394	3190	2590	2180	2067	1766	1578	1369
	7	3295	2579	2115	2946	2333	1929	1867	1568	1430	1220
	8	3050	2332	1881	2729	2113	1718	1696	1401	1304	1095
	9	2834	2121	1685	2538	1924	1541	1549	1261	1195	989
	10	2641	1938	1517	2368	1760	1389	1421	1140	1100	898

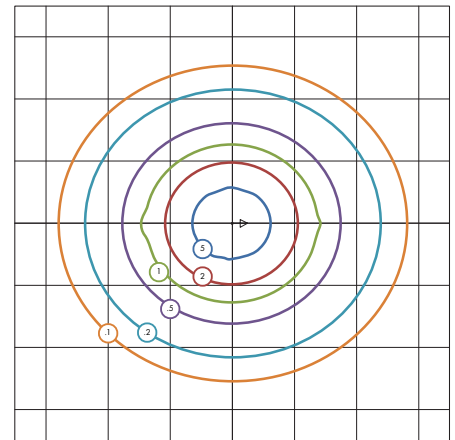
Average Luminance Summary (cd/m²)

Horizontal Angle (Degrees)

Angle	Along (0°)	45°	Across (90°)
0	2644	2644	2644
45	2279	1959	1886
55	2116	1722	1647
65	1905	1445	1365
75	1636	1093	1006
85	1087	494	422

Horizontal Footcandles

Mounting Height = 8'-0" A.F.F.
 Maximum Calculated Value = 10.3 Fc @ Nadir



Grid Lines in Units of Mounting Height

■ 5fc ■ 2fc ■ 1fc ■ .5fc ■ .2fc ■ .1fc

Zonal Lumen Summary

Zone	Lumens	% Luminaire
0-40	819	13.6%
0-60	1422	23.7%
0-90	1807	30.1%
90-180	4204	69.9%