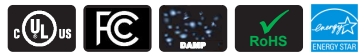


11" & 14" Round Ceiling Luminaires

Prefix: LEDR

The LED round (LEDR) ceiling series is designed for residential, light commercial and other applications. High-quality luminaire utilizes the latest LED technology for optimal performance and maximized energy efficiency. High-CRI LEDs are standard, and dimming is available with many popular wall dimmers. The finely-textured lens is molded from acrylic, and provides an even, uniform light distribution.



project:

fixture type:

catalog #:

quantity:

ORDERING GUIDE

MODEL	COLOR TEMPERATURE	COMPATIBLE DIMMERS
<p>LEDR11 - 11" Round Ceiling Luminaire</p> <p>LEDR14 - 14" Round Ceiling Luminaire</p>	<p>27K - 2700k</p> <p>40K - 4000k</p>	<p>LUTRON</p> <p>Ariadni/Toggler (TGCL-153P)</p> <p>Maestro (MACL-153M)</p> <p>Skylark Contour (CTCL-153P)</p> <p>Caseta (PD-6WCL)</p> <p>LEVITON</p> <p>IllumaTech R50-IPL06</p> <p>SureSlide (R12-06672, R62-06674)</p> <p>Decora (DSL06-1LZ)</p>

FEATURES

- Available in 2700k (warm white) or 4000k (neutral white) color temperature.*
- Long-life LEDs provide at least 74,000 hours of operation with at least 70% of initial lumen output (L₇₀).**
- 11" model delivers lumen output equivalent to one 75 watt incandescent lamp, but uses only 15 watts.*
- 14" model delivers lumen output equivalent to two 60 watt incandescent lamps, but uses only 24 watts.*

- High-efficiency, non-glare lens provides visual comfort and uniform illumination without pixelation.
- Input voltage: AC120V,60Hz.
- Compatible with many popular wallbox dimmers.
- Power factor > 0.99.
- Total harmonic distortion < 20%.
- Color rendering index > 80.
- Sturdy steel body construction. Lens material is acrylic.
- Easy installation in new construction or retrofit.

WARRANTY & LISTINGS

- cULus listed for wet locations in ambient temperatures from -20°C to 35°C (-4°F to 195°F).
- Energy Star qualified.
- Complies with FCC Part 15.
- Driver is protected from line transients (2.5 kV).
- 5-year warranty of all electronics and housing.

* Contact factory for other color temperatures and lumen packages

** L₇₀ hours are IES TM-21-11 calculated hours.

Electrical Data

Model	Color Temp.	CRI ¹	Luminaire Lumens	Luminaire Watts	Lumens/Watt	Input Voltage ²	Input Current			Power Factor	THD ³	L ₇₀ Hours ⁴
							120V	240V	277V			
LEDR11-27K	2700k	>80	1,050	15	71	120 (60Hz)	0.13	0.06	0.05	>99%	<20%	74,000
LEDR11-40K	4000k	>80	1,050	15	71	120 (60Hz)	0.13	0.06	0.05	>99%	<20%	74,000
LEDR14-27K	2700k	>80	1,050	15	71	120 (60Hz)	0.20	0.10	0.09	>99%	<20%	74,000
LEDR14-40K	4000k	>80	1,050	15	71	120 (60Hz)	0.20	0.10	0.09	>99%	<20%	74,000

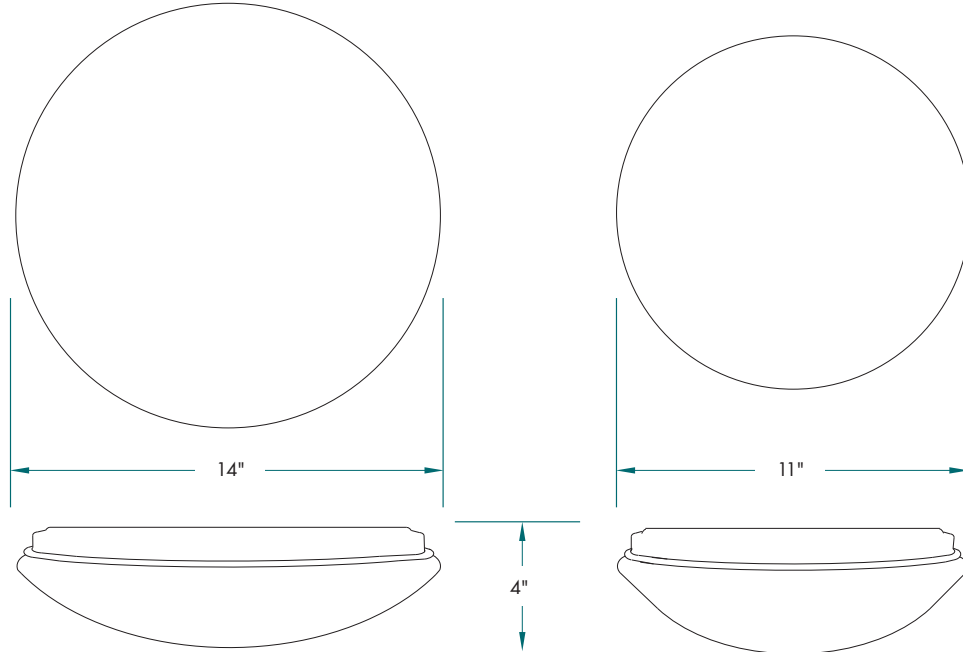
¹ Color rendering index.

² All 50-60Hz.

³ Total harmonic distortion.

⁴ L₇₀ refers to the number of hours at which lumen output declines to 70% of the initial level. L₇₀ hours are IES TM-21-11 calculated hours.

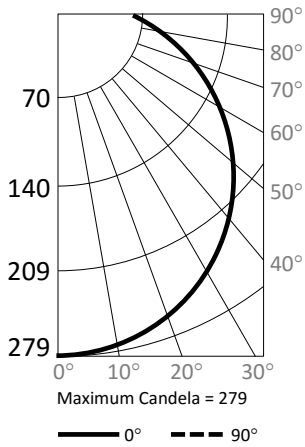
Dimensions



Photometric Data

LEDR11-40K (1,050 Lumens)

Candela Distribution Polar Plot



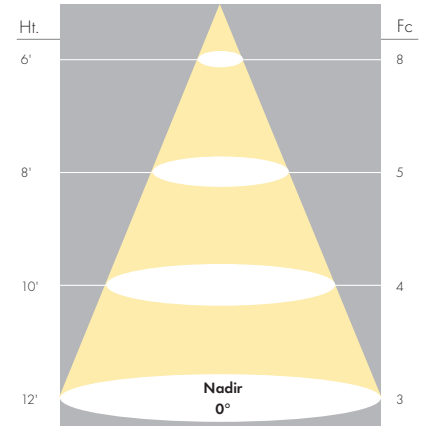
Candlepower Summary

	0°	90°
0°	279	279
10°	276	276
20°	264	264
30°	244	245
40°	217	218
50°	185	186
60°	153	153
70°	120	121
80°	90	91
90°	64	64

Zonal Lumen Summary

Zone	Lumens	% Luminaire
0°-10°	25	2.4%
0°-20°	98	9.3%
0°-30°	209	19.9%
0°-40°	344	32.8%
0°-50°	490	46.7%
0°-60°	631	60.1%
0°-70°	757	72.0%
0°-80°	859	81.8%
0°-90°	936	89.2%
90°-180°	114	10.8%
0°-180°	1,050	100.0%

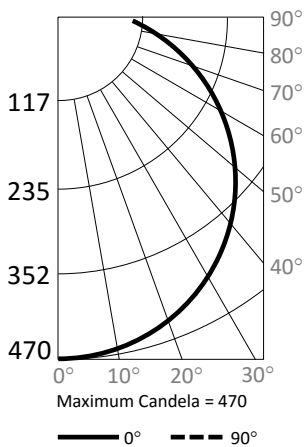
Cone of Light



Photometric Data

LEDR14-40K (1,809 Lumens)

Candela Distribution Polar Plot



Candlepower Summary

	0°	90°
0°	470	470
10°	461	461
20°	439	440
30°	404	406
40°	357	359
50°	300	304
60°	240	243
70°	182	185
80°	130	133
90°	85	87

Zonal Lumen Summary

Zone	Lumens	% Luminaire
0°-10°	45	2.5%
0°-20°	173	9.6%
0°-30°	371	20.5%
0°-40°	616	34.1%
0°-50°	879	48.6%
0°-60°	1,132	62.6%
0°-70°	1,352	74.7%
0°-80°	1,527	84.4%
0°-90°	1,654	91.4%
90°-180°	155	8.6%
0°-180°	1,809	100.0%

Cone of Light

