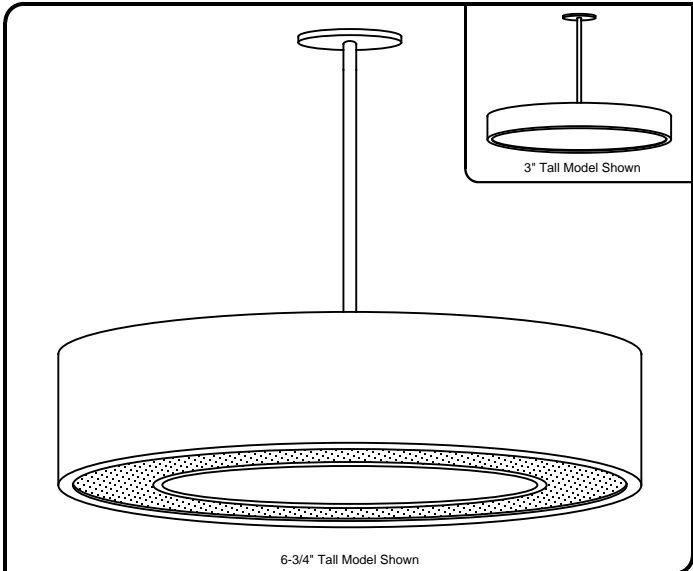




<b>Series:</b> <span style="font-size: 1.2em; font-weight: bold;">CYL - Cylindrix</span>	<b>Fixture Type:</b> <span style="font-size: 1.2em; font-weight: bold;">Surface Mount / Suspended</span>
---	---

Project Name	Fixture Type	Catalog Number	Quantity



Design Features / Specifications

- CONSTRUCTION:**
- Housing to be manufactured from roll-formed 6063 T5 extruded aluminum alloy.
  - seams to be continuous welded and ground smooth.
  - Housing to be formed into a perfect circle.
- REFLECTOR:**
- Reflectors are precision die-formed from code-gauge cold rolled steel. Finish to be high-reflectance white powder coat baked enamel. (94% T.R. Min.)
  - Driver Cover is secured into housing with thumb nut style fasteners for ease of maintenance.
- FINISH:**
- All housings and componts manufactured from aluminum alloy receive a multi-stage pre-treatment prior to finishing.
  - Textured White polyester powder coat baked enamel for extreme durability and architectural aesthetics.
  - Custom colors and finishes are available as an option (including color-matching).
- LED's / OPTICS:**
- High performance LED boards manufactured specifically for interior lighting. LED boards feature the latest mid-power LED's for maximum performance, efficiency and longevity.
  - Standard color temperatures offered are 3500K and 4000K. Other optional color temperatures available are 3000K and 5000K. 80 CRI (Min.). RoHS Compliant.
  - Always consult RENOVA for the latest developments and improvements concerning LED's and Optics.

The Cylindrix Series LED fixture family has been developed to dramatically improve energy efficiency and quality of light using Solid State Lighting (SSL) technologies. The Cylindrix Series LED fixtures provide an attractive, energy efficient, architectural look which has been specifically designed to replace existing fluorescent lighting or for use in new construction. Comfortable low glare, uniform lighting is attributed to this style of fixture. Typical applications for this type of product are interior spaces. for this type of product are interior spaces.

Applications Include:

- |  |  |
|--|--|
| <ul style="list-style-type: none"> <li>• Retail Environments</li> <li>• Commercial Spaces</li> <li>• Offices and Conference Rooms</li> <li>• Schools, Colleges and Universities</li> </ul> | <ul style="list-style-type: none"> <li>• Hospitals / Healthcare Facilities</li> <li>• Government Facilities</li> <li>• Bank Lobbies</li> </ul> |
|--|--|

- DRIVERS:**
- Electronic, constant current type. Universal voltage (120v-277v) is standard.
  - 0-10v Low Voltage, dimmable. 10%-100% (Standard). 0%-100% (Optional).
  - Step-Dim and Line Voltage Drivers (Specify Voltage) are optional.
  - Suitable for dry and damp locations. UL Recognized Class 2, RoHS Compliant.
- LENS / DIFFUSER:**
- Constructed from a special blend of 100% virgin acrylic & high light transmission / LED diffusing polymer.
  - Many diffuser options are available. Check with Factory for all options.
  - Lens thickness to be 0.110" (Standard). Consult factory for special requirements.
- MOUNTING:**
- Fixtures are designed to be recessed, surface mounted (if no uplight required), or suspended using pendant or aircraft cable. Consult factory for all other special mounting conditions.
- ELECTRICAL:**
- Surface / Suspended fixtures are UL/CUL Listed and labeled.
  - LM80 performance for 50,000+ hours.
  - Bi-Level dimming option allows 50% power reduction for compliance with common energy codes.
  - Driver disconnect provided where required to comply with US and Canadian codes.

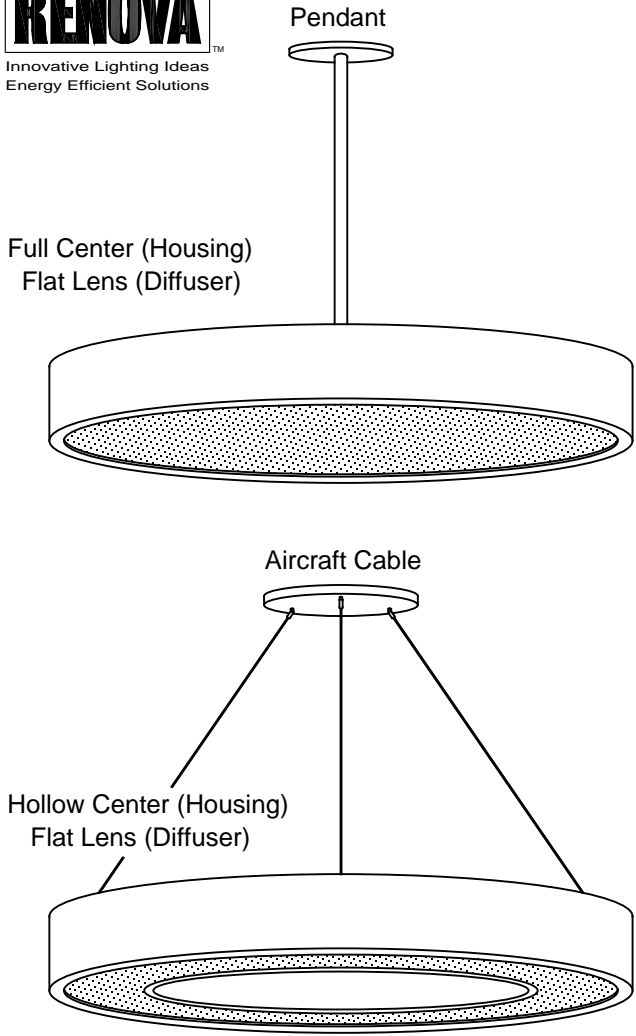


\*Note: RENOVA products are constantly being improved; therefore, the information shown is subject to change without notice. Always consult your lighting representative or RENOVA Lighting Systems, Inc. for the latest information

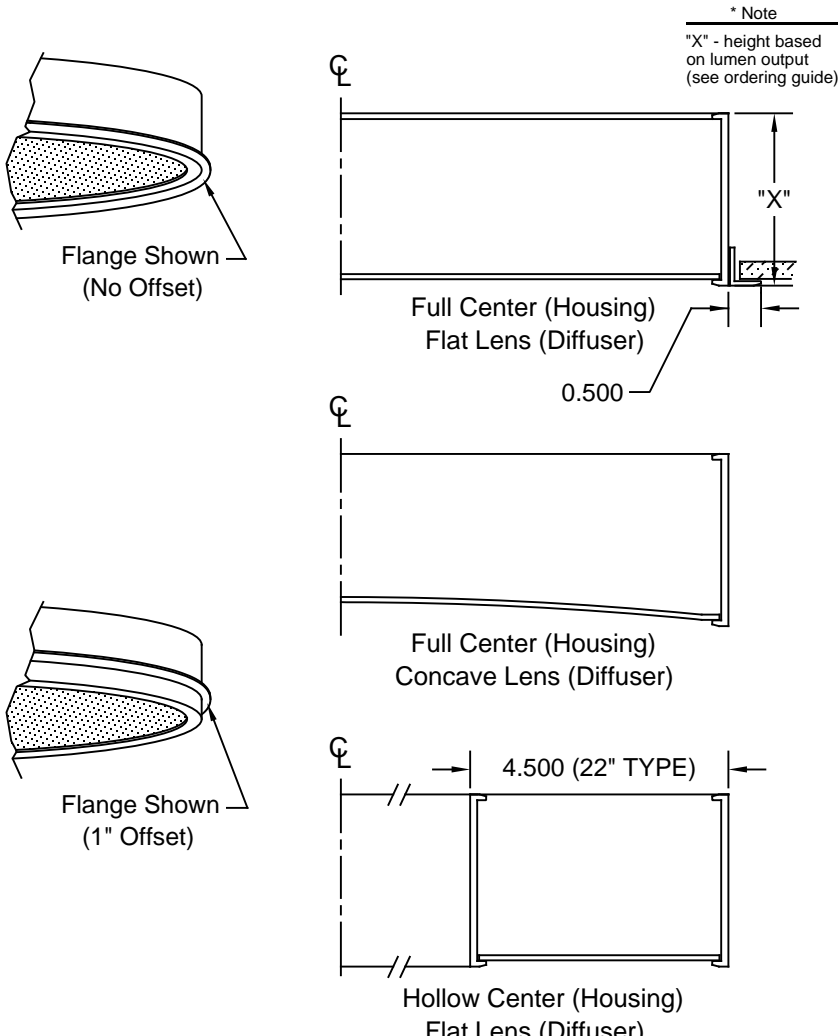
- QUALITY CONTROL:**
- All fixtures are designed, fabricated, painted, assembled, tested, packaged and shipped from RENOVA's manufacturing facility in Mansfield, MA (USA).
- WARRANTY:**
- 5-Year limited warranty. Please refer to RENOVA's website at [www.renova.com/sales/warranties](http://www.renova.com/sales/warranties) for the latest warranty terms and conditions.



Series: **CYL - Cylindrix**      Fixture Type: **Surface Mount / Suspended**



Perspective View



Cross Section(s)

**Ordering Information**

Prefix / Series	Size (Dia.)	Housing Config.	Mounting	Lumen Output (Uplight)	Lumen Output (Downlight)	Driver Voltage	Driver Type	Color Temp.	Lens (Diffuser)	Housing Color / Finish	Options
<b>CYL</b>											
CYL - Cylindrix Series	18 - 18" O.D. 22 - 22" O.D. 34 - 34" O.D. 46 - 46" O.D.	FC - Full Center HC - Hollow Center CC - Custom Center (Specify)	RT - Recessed T-Grid RF - Recessed Flanged RFO - Recessed Flanged Offset (Specify) SM - Surface Mount SPxx - Suspended* (Pendant) SAxx - Suspended* (Adjustable Aircraft Cable) LC - Custom (Specify)	N - None L020 - 2000 L030 - 3000 L040 - 4000 L050 - 5000 L060 - 6000 L070 - 7000 L080 - 8000 L090 - 9000 L100 - 10000 L110 - 11000 L120 - 12000 L130 - 13000 L140 - 14000 L150 - 15000 L160 - 16000 LC - Custom (Specify)	N - None ("x" = 3.00") L020 - 2000 L030 - 3000 L040 - 4000 ("x" = 6.75") L050 - 5000 L060 - 6000 L070 - 7000 L080 - 8000 L090 - 9000 L100 - 10000 L110 - 11000 L120 - 12000 L130 - 13000 ("x" = TBD) L140 - 14000 L150 - 15000 L160 - 16000 LC - Custom (Specify)	UNV - Universal Voltage (120v - 277v) 347 - 347v (Special)	DM - 0-10v Low Voltage Dimming (10%-100%) (Standard) SD - Step Dimming (50% / 100%) LV - Line Voltage Dimming (Specify Voltage) 120v or 277v CS - Custom (Specify)	C30 - 3000K C35 - 3500K* C40 - 4000K* C50 - 5000K (* ) - Standard	NA - Not Applicable FAF - Frosted Acrylic, Flat, Textured (Standard) FAC - Frosted Acrylic, Concave, Textured CS - Custom (Specify)	TW - Textured White (Standard) MS - Matte Silver CS - Custom Finish (Specify)	OCR - Occupancy Sensor (Specify) XXX - Specify Sensor (Specify) SCC - Sound Cancelling Center

\* (xx) - Specify Length (Inches)

\*LED Dimming Drivers have adjustable (programmable) output capability. A wide range of input watts / lumen output can be adjusted up or down on all models to suit a particular application. Always consult factory for the latest information.

\*Photometric data, IES files and all other information is available upon request.

**PRIOR TO REPLACING AN EXISTING FLUORESCENT LIGHTING FIXTURE, PLEASE NOTE THE FOLLOWING:**

Fluorescent lamps contain small amounts of mercury. Such lamps are labeled "Contains Mercury" and / or with the symbol "Hg". Lamps that contain mercury must be disposed of in accordance with local requirements. Information regarding lamp recycling and disposal can be found at [www.lamprecycle.org](http://www.lamprecycle.org).

