

The Cylindrix Series LED fixture family has been developed to dramatically improve energy efficiency and quality of light using Solid State Lighting (SSL) technologies. The Cylindrix Series LED fixtures provide an attractive, energy efficient, architectural look which has been specifically designed to replace existing fluorescent lighting or for use in new construction. Comfortable low glare, uniform lighting is attributed to this style of fixture. Typical applications for this type of product are interior spaces. For this type of product are interior spaces.



Applications Include:

- Retail Environments
- Commercial Spaces
- Offices and Conference Rooms
- Schools, Colleges and Universities
- Hospitals / Healthcare Facilities
- Government Facilities
- Bank Lobbies



project:

fixture type:

catalog #:

quantity:

ORDERING GUIDE

CYL	-	-	-	-	-	-	-	-	-	-	-	-
Prefix/ Series	Size (Dia.)	Housing Config.	Mounting	Lumen Output Uplight	Lumen Output Downlight	Driver Voltage	Driver Type	Color Temp.	Lens (Diffuser)	Housing Color/Finish	Options	
CYL- Cylindrix Series	18 - 18" OD 22 - 22" OD 34 - 34" OD 46 - 46" OD	FC - Full Center HC - Hollow Center CC - Custom Center (Specify)	RT - Recessed T-Grid RF - Recessed Flanged RFO - Recessed Flanged Offset (Specify) SM - Surface Mount SPxx - Suspended (Pendant) SAxx - Suspended (Adjustable Aircraft Cable)  * (xx) Specify Length (inches)	L015 - 1500 lm L020 - 2000 lm L030 - 3000 lm L040 - 4000 lm L050 - 5000 lm L060 - 6000 lm L070 - 7000 lm L080 - 8000 lm L090 - 9000 lm L100 - 10000 lm L110 - 11000 lm L120 - 12000 lm L130 - 13000 lm L140 - 14000 lm L150 - 15000 lm L160 - 16000 lm  LC - Custom (Specify)	L020 - 2000 lm (*x) = 3.00" L030 - 3000 lm L040 - 4000 lm (*x) = 6.75" L050 - 5000 lm L060 - 6000 lm L070 - 7000 lm L080 - 8000 lm L090 - 9000 lm (*x) = 9.00" L100 - 10000 lm L110 - 11000 lm L120 - 12000 lm L130 - 13000 lm (*x) = TBD L140 - 14000 lm L150 - 15000 lm L160 - 16000 lm  LC - Custom (Specify)	UNV - Universal Voltage (120v - 277v) (60 Hz)  120 - 120v 277 - 277v 347 - 347v*  *Special order only	DM - 0-10v Low Voltage Dimming (10% - 100%) (Standard) SD - Step Dimming (50% - 100%) LV1 - Line Voltage Dimming (120v) LV2 - Line Voltage Dimming (277v)	C30 - 3000 K* C35 - 3500 K C40 - 4000 K C50 - 5000 K*  *Special Order Only	NA - Not Applicable FAF - Frosted Acrylic Flat Textured (Standard) FAC - Frosted Acrylic Concaved Textured CS - Custom (Specify)	TW - Textured White (Standard) MS - Matte Silver CS - Custom Finish (Specify)	OCR - Occupancy Sensor XXX - Specify Sensor (Specify) SCC - Sound Canceling Center	

\*LED Dimming Drivers have adjustable (programmable) output capability. A wide range of input watts / lumen output can be adjusted up or down on all models to suit a particular application. Always consult factory for the latest information.



PRIOR TO REPLACING AN EXISTING FLUORESCENT FIXTURE, PLEASE NOTE THE FOLLOWING:

Fluorescent lamps contain small amounts of mercury. Such lamps are labeled "Contains Mercury" and / or with the symbol "Hg." Lamps that contain mercury must be disposed of in accordance with local requirements. Information regarding lamp recycling and disposal can be found at [www.lamprecycle.org](http://www.lamprecycle.org).

## Design Features / Specifications

### CONSTRUCTION:

- Housing to be manufactured from roll-formed 6063 T5 extruded aluminum alloy.
- Seams to be continuous welded and ground smooth.
- Housing to be formed into a perfect circle.

### REFLECTOR:

- Reflectors are precision die-formed from code-gauge cold rolled steel. Finish to be high-reflectance white powder coat baked enamel. (94% T.R. Min.)
- Driver Cover is secured into housing with thumb nut style fasteners for ease of maintenance.

### FINISH:

- All housings and components manufactured from aluminum alloy receive a multi-stage pre-treatment prior to finishing.
- Textured White polyester powder coat baked enamel for extreme durability and architectural aesthetics.
- Custom colors and finishes are available as an option (including color-matching).

### LEDs / OPTICS:

- High performance LED boards manufactured specifically for interior lighting. LED boards feature the latest mid-power LEDs for maximum performance efficiency and longevity.
- Standard color temperatures offered are 3500 and 4000.
- Consult factory for all other color temperature options. 80 CRI (Minimum). RoHS Compliant.
- Always consult factory for the latest developments and improvements concerning LEDs and Optics.

### DRIVERS:

- Electronic constant current type. Universal voltage (120v-277v) is standard.
- 0-10v Low Voltage dimmable. 10-100% (Standard). 0-100% (Optional).
- Step-Dim and Line Voltage Drivers (Specify Voltage) are optional.
- Suitable for dry and damp locations. UL recognized Class 2 RoHS Compliant

### LENS / DIFFUSER:

- Constructed from a special blend of 100% virgin acrylic high light transmission / LED diffusing polymer.
- Many diffuser options are available. Check with Factory for all options.
- Lens thickness to be 0.110" (Standard). Consult factory for special requirements

### MOUNTING:

- Fixtures are designed to be recessed surface mounted (if no upright required) or suspended using pendant or aircraft cable. Consult factory for all other special mounting conditions.

### ELECTRICAL:

- Surface/Suspended fixtures are UL/CUL listed and labeled
- LM80 Performance for 50000 hours.
- Bi-Level dimming options allows 50% power reduction for compliance with common energy codes.
- Driver disconnect provided where required to comply with US and Canadian codes

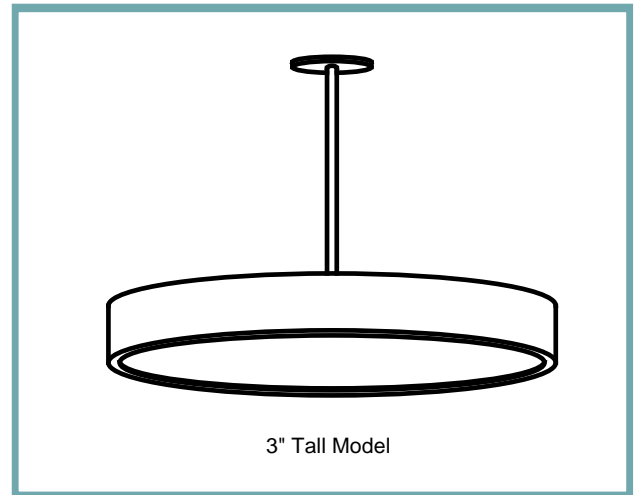
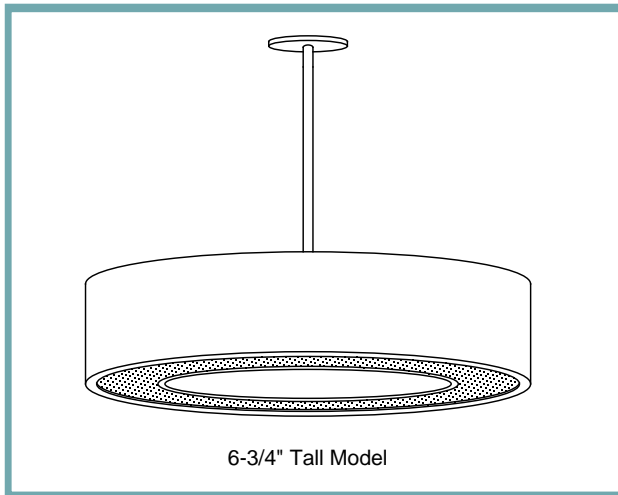
### QUALITY CONTROL:

- All fixtures are designed fabricated assembled tested packaged and shipped from RENOVA's manufacturing facility in Warwick RI. (USA)

### WARRANTY:

- 5-year limited warranty. Please refer to RENOVA's website at [www.renova.com/sales/warranties](http://www.renova.com/sales/warranties) for the latest warranty terms and conditions.

## Model Examples



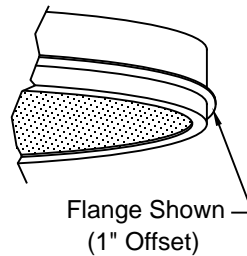
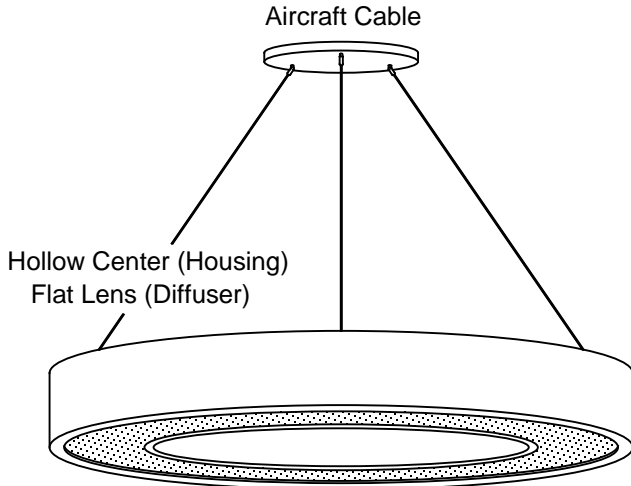
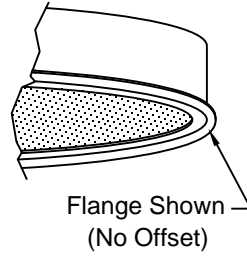
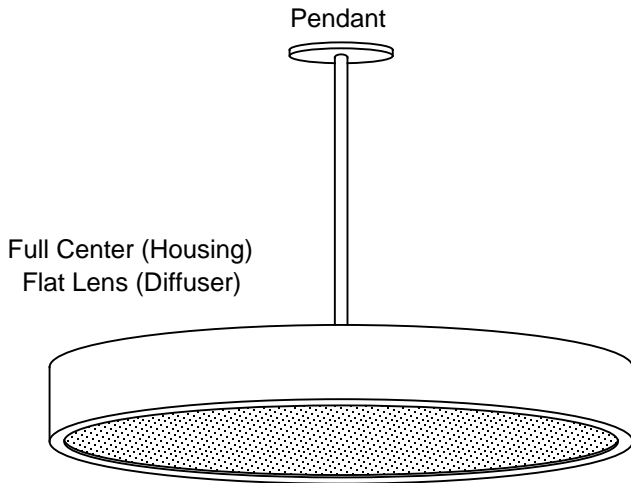
### NOTES:

LED Dimming Drivers have adjustable output capability. A wide range of input watts/lumen output can be adjusted up or down on all models to suit a particular application. Always consult factory for the latest information.

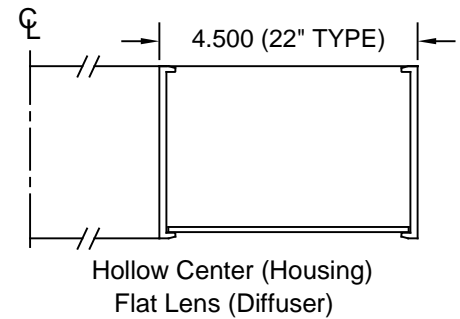
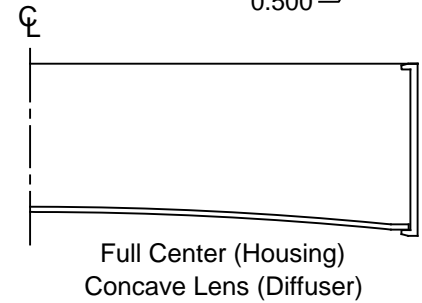
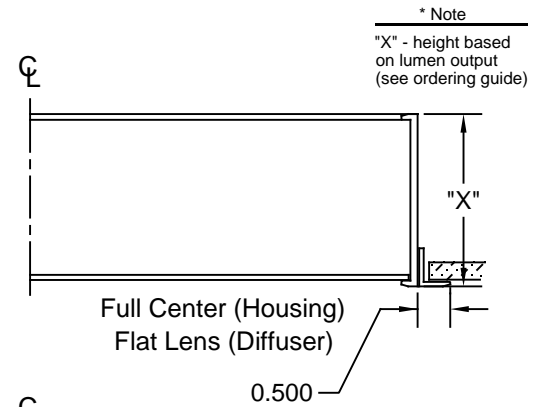
Photometric data, IES files and all other information is available on request.

RENOVA products are constantly being improved; therefore the information shown is subject to change without notice. Always consult your lighting representative or RENOVA Lighting Systems, Inc. for the latest information.

Mounting Details / General Fixture Specifications



Perspective View



Cross Section(s)