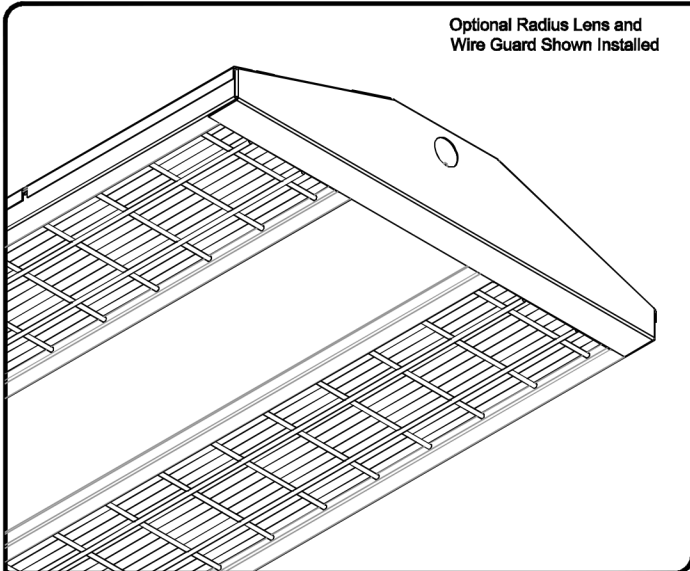




Series: AUR - Aurora LED High Bay Series	Fixture Type: Suspended - Pendant or Cable
---	---

Project Name	Fixture Type	Catalog Number	Quantity



The Aurora Series LED High Bay fixture family has been developed to dramatically improve energy efficiency and quality of light using Solid State Lighting (SSL) technologies. The Aurora Series LED High Bay fixtures provide an attractive, energy efficient, contemporary look which has been specifically designed to replace existing fluorescent/HPS/MH Lighting or for use in new construction. Comfortable, low glare, uniform lighting is attributed to this style of fixture. Typical applications for this type of product are interior spaces.

Applications Include:

- | | |
|--|---|
| <ul style="list-style-type: none"> • Warehouses • Commercial Spaces • Industrial Spaces • Schools, Colleges and Universities | <ul style="list-style-type: none"> • Storage Facilities • Government Facilities • Manufacturing Spaces |
|--|---|



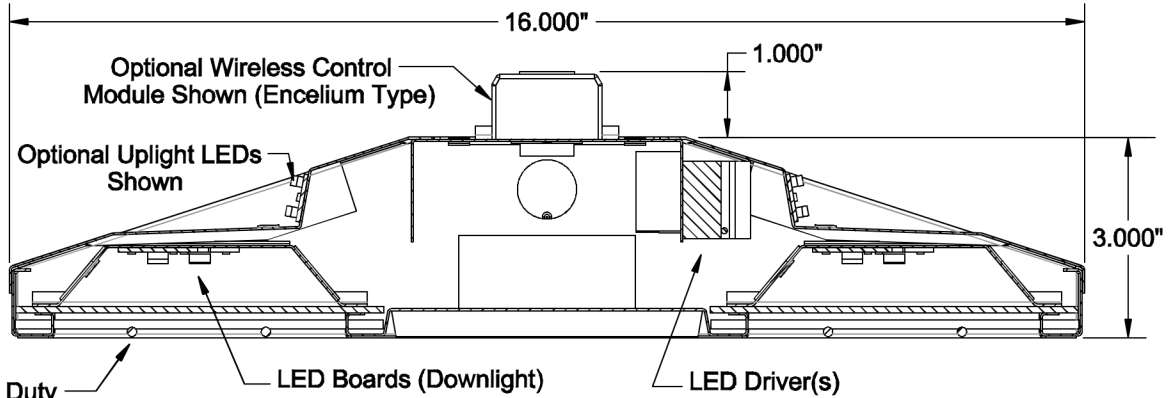
*Note: RENOVA products are constantly being improved; therefore, the information shown is subject to change without notice. Always consult your lighting representative or RENOVA Lighting Systems, Inc. for the latest information

Design Features / Specifications

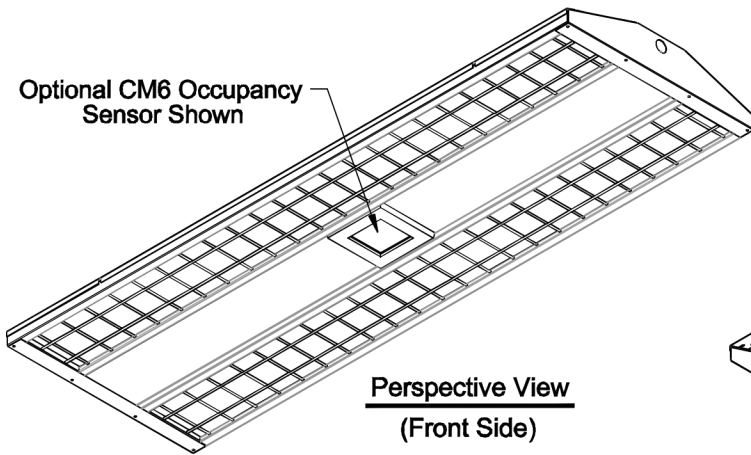
- CONSTRUCTION:**
- Housing to be manufactured from code-gauge, die-formed cold rolled steel.
 - All components are mechanically or resistance welded for superior strength and rigidity.
 - Electrical Knock-Outs (EKO's) are provided in end caps and housing.
- REFLECTOR:**
- Reflectors are inherent and is part of the housing design. Finish is high-reflectance white (92% T.R.)
 - Driver Cover is secured into housing with custom designed thumb nuts for ease of maintenance.
- FINISH:**
- Gloss White polyester (pre-paint) powder coat baked enamel is standard.
 - Gloss White polyester (post-paint) powder coat baked enamel is an option. (please consult factory for availability)
 - Custom colors and finishes are available as an option (including color-matching).
- LED's / OPTICS:**
- High performance LED boards manufactured specifically for interior lighting. LED boards feature the latest mid-power LED's for maximum performance, efficiency and longevity.
 - Standard color temperatures offered are 3500K and 4000K. Other optional color temperatures available are 3000K and 5000K. 80 CRI (Min.). RoHS Compliant.
 - Always consult RENOVA for the latest developments and improvements concerning LED's and Optics.
- DRIVERS:**
- Electronic, constant current type. Universal voltage (120v-277v) is standard.
 - 0-10v Low Voltage, dimmable. 10%-100% (Standard). 0%-100% (Optional).
 - Step-Dim and Line Voltage Drivers (Specify Voltage) are optional.
 - Suitable for dry and damp locations. UL Recognized Class 2, RoHS Compliant.
- LENS / DIFFUSER (Optional):**
- Custom extruded from special blend of 100% virgin acrylic & high light transmission / LED diffusing polymer. 30% DR additive used to increase resistance to breakage.
 - Extruded linear ribs provide clean, aesthetic architectural look.
 - Lens thickness to be 0.080" (Standard). Consult factory for special requirements.
- MOUNTING:**
- Fixtures are designed to be suspended using pendant, adjustable aircraft cable, or jack chain. Consult factory for all other special mounting conditions.
- ELECTRICAL:**
- Surface / Suspended fixtures are UL/CUL Dry/Damp Location Listed and Labeled.
 - LM80 performance for 50,000+ hours.
 - Bi-Level dimming option allows 50% power reduction for compliance with common energy codes.
 - Driver disconnect provided where required to comply with US and Canadian codes.
- QUALITY CONTROL:**
- All fixtures are designed, fabricated, painted, assembled, tested, packaged and shipped from RENOVA's manufacturing facility in Mansfield, MA (USA).
- WARRANTY:**
- 5-Year limited warranty. Please refer to RENOVA's website at www.renova.com/sales/warranties for the latest warranty terms and conditions.



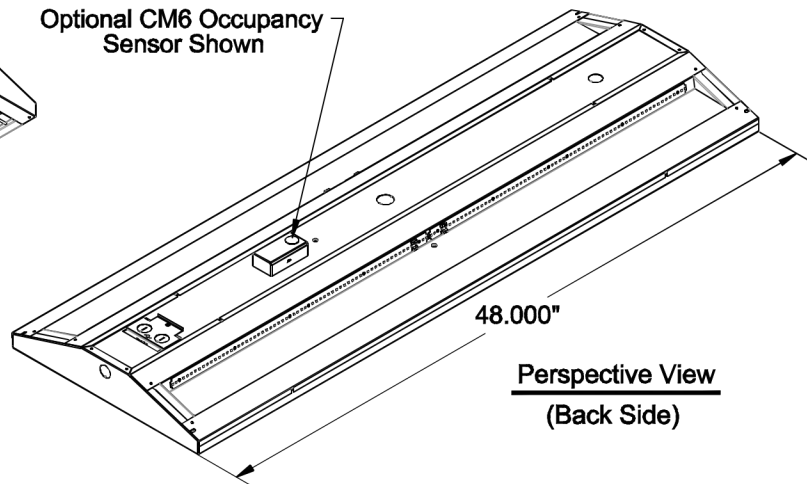
Series: **AUR - Aurora LED High Bay Series** Fixture Type: **Suspended - Pendant or Cable**



Cross Section



Perspective View (Front Side)



Perspective View (Back Side)

Ordering Information

Prefix / Series	Size	Optics (Distribution)	Lumen Output (Uplight)	Lumen Output (Downlight)	Driver Voltage	Driver Type	Color Temp.	Lens (Diffuser)	Housing Color / Finish	Options
AUR AUR - Aurora Series	2 - 24" 4 - 48"	N - Normal C - Custom (Specify)	NUL - 0 L005 - 500 L008 - 800 L010 - 1000 L012 - 1200 L015 - 1500 L020 - 2000 LC - Custom (Specify)	L100 - 10,000 L125 - 12,500 L150 - 15,000 L175 - 17,500 L200 - 20,000 L225 - 22,500 L250 - 25,000 L275 - 27,500 L300 - 30,000 L325 - 32,500 LC - Custom (Specify)	UNV - Universal Voltage (Std.) 347 - 347v* 480 - 480v* (*) = Special Order	DM - 0-10v Low Voltage Dimming (10%-100%) (Standard) SD - Step Dimming (50% / 100%) LV - Line Voltage Dimming (Specify Voltage) 120v or 277v	C30 - 3000K* C35 - 3500K C40 - 4000K C50 - 5000K* (*) = Special Order	ND - No Diffuser, "Open" Fixture (Standard) ACF - Clear Acrylic, "Flat" Profile AFF - Frosted Acrylic, "Flat" Profile AFR - Frosted Acrylic, "Radius" Profile CS - Custom (Specify)	PW - Pre-Painted Gloss White "Smooth" (Standard) GW - Gloss White "Smooth" TW - Matte White "Textured" TB - Matte Black "Textured" CS - Custom Finish (Specify)	WG - Heavy Duty Wire Guard (White) VC - "V"-Cables EVM - "Encelium" Wireless Control Module RM6 - "Sensor Switch" High Bay (360") Occupancy Sensor

* Note: Consult factory for all hanging hardware options and power feed / plug options

*LED Dimming Drivers have adjustable (programmable) output capability. A wide range of input watts / lumen output can be adjusted up or down on all models to suit a particular application. Always consult factory for the latest information.

PRIOR TO REPLACING AN EXISTING FLUORESCENT LIGHTING FIXTURE, PLEASE NOTE THE FOLLOWING:

Fluorescent lamps contain small amounts of mercury. Such lamps are labeled "Contains Mercury" and / or with the symbol "Hg". Lamps that contain mercury must be disposed of in accordance with local requirements. Information regarding lamp recycling and disposal can be found at www.lamprecycle.org.

*Photometric data, IES files and all other information is available upon request.

