



Series:  
Mini Wall Mount (MWM)

Fixture Type :  
Commercial LED Luminaire

Project Name	Fixture Type	Catalog #	Quantity
<input type="text"/>	<input type="text"/>	<input type="text"/>	<input type="text"/>



### LED Mini Wall Mount Series (MWM) Luminaire

The MWM Series LED wall mount luminaire offers maximum light output and energy efficiency for general purpose, security, entryway, stairway, storage, and perimeter lighting. This versatile, weather resistant luminaire is ideal for replacing existing 120w Incandescent and 50w High Intensity Discharge (HID) lighting fixtures. Applications include: residential exteriors, storage areas, perimeter areas, walkways, entryways and low-level security areas.

### Design Features & Specifications

**HOUSING:**

Die-cast aluminum housing. One 1/2" coin plug and o-ring located on bottom of housing (for conduit, photocell, etc.).

**FINISH:**

Polyester powder coat baked enamel textured finish applied over chromate conversion coating. Architectural color choices are white, black or dark bronze.

**LENS:**

Injection molded UV-stabilized clear polycarbonate with integrated refractor pattern (standard). Frosted polycarbonate lens is optional. Lens is fully gasketed with closed-cell silicone and is secured to housing with stainless steel fasteners and o-rings.

**MOUNTING:**

Fixture supports direct wall mounting or J-Box mounting.

**LEDs:**

LM-80 certified high performance LEDs

Mini Wall Mount (MWM)	
Catalog #	Description
<b>Ordering Example:</b> MWM-15W-120-C40-WHT-FRS-NA	
<input type="text"/>	<b>Series:</b> Mini Wall Mount
<input type="text"/>	<b>Wattage:</b> 15W = 15 Watt 25W = 25 Watt 17W = 17 Watt
<input type="text"/>	<b>Driver (Voltage):</b> 120=120v (15W Only) UNV=120v-277v
<input type="text"/>	<b>Color Temp:</b> C30=3000K C40=4000K (15W Only) C50=5000K (15W Only)
<input type="text"/>	<b>Color (Housing):</b> WHT=White (Special Order) BLK=Black (Special Order) BRZ=Dark Bronze
<input type="text"/>	<b>Lens/Diffuser Type:</b> CLR=Clear (17W/25W Only) FRS=Frosted
<input type="text"/>	<b>Sensor:</b> NA=None P1=120v Photocell P2=277v Photocell (17W/25W Only)

**DRIVER:**

Electronic, UL class II power supply. Constant current type. Universal voltage (120v-277v, 50/60 Hz) or dedicated 120v (15watt fixture only). Non-dimming type.

**AMBIENT TEMPERATURE RANGE:**

Suitable for use in -30 deg. C to 40 deg. C (-20 deg. F to 104 deg. F)

**LISTINGS & RATINGS:**

UL/CUL and CSA listed.

**DLC & LIGHTING FACTS:**

Please check with factory for all current listings and electrical performance specifications.

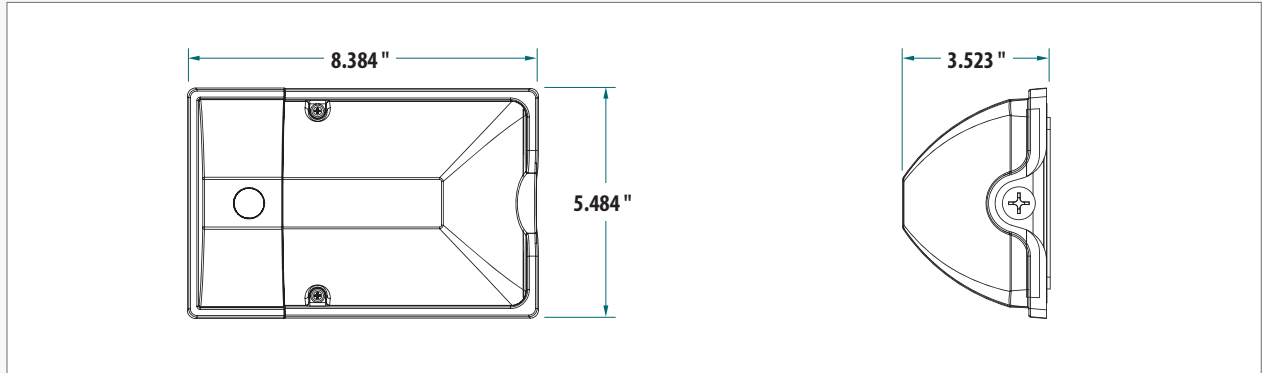
**WARRANTY:**

5-Year limited warranty. Please refer to RENOVA's website @ [www.renova.com/sales/warranties](http://www.renova.com/sales/warranties) for the latest warranty terms and conditions.

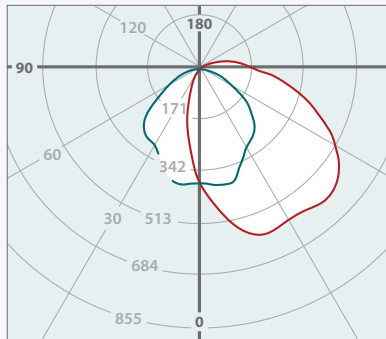
Note: RENOVA products are constantly being improved; therefore, the information shown is subject to change without notice. Always consult your lighting representative or RENOVA Lighting Systems, Inc. for the latest information.

Project Name	Fixture Type	Catalog #	Quantity
<input type="text"/>	<input type="text"/>	<input type="text"/>	<input type="text"/>

### Dimensional Information



### Photometric Information



MWM-15W-UNV-C50-WHT-FRS

Average Diffuse Angle (50%): 95.4°

- 0 Deg. Plane
- 90 Deg. Plane
- 180 Deg. Plane
- 270 Deg. Plane

**Clear and Frosted  
Lens Available**



	WMW SERIES (CLEAR LENS)		WMW SERIES (FROSTED LENS)	
<b>CATALOG NUMBER</b>	MWM-17W-UNV-C50-WHT-CLR	MWM-25W-UNV-C50-WHT-CLR	MWM-17W-UNV-C50-WHT-FRS	MWM-25W-UNV-C50-WHT-FRS
<b>LIGHT OUTPUT</b>	1,700 Lumens	2,200 Lumens	1,650 Lumens	2,100 Lumens
<b>COLOR TEMP</b>	5000K	5000K	5000K	5000K
<b>POWER (INPUT)</b>	17w	25w	17w	25w
<b>COLOR ACCURACY</b>	82 CRI	82 CRI	82 CRI	82 CRI
<b>REPLACES</b>	120w Incandescent	50w High Intensity Discharge (HID)	120w Incandescent	50w High Intensity Discharge (HID)

**NOTES:**

LED Dimming Drivers have adjustable output capability. A wide range of input watts/lumen output can be adjusted up or down on all models to suit a particular application. Always consult factory for the latest information.

Photometric data, IES files and all other information is available on request.

RENOVA products are constantly being improved; therefore the information shown is subject to change without notice. Always consult your lighting representative or RENOVA Lighting Systems, Inc. for the latest information.