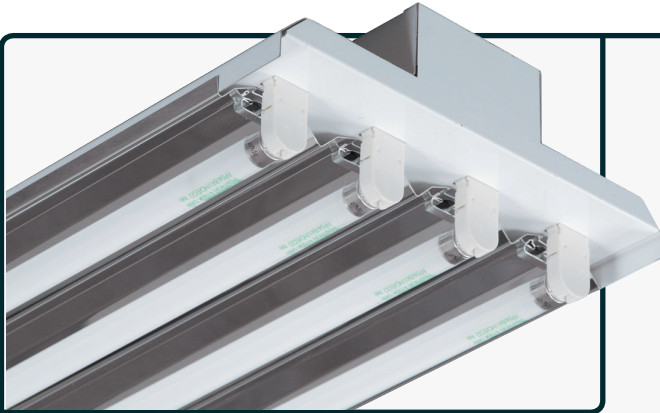




Series:  
**ECS Energy Conservation Series**

Fixture Type :  
**MXL Max-Illume**

Project Name	Fixture Type	Catalog #	Quantity
<input type="text"/>	<input type="text"/>	<input type="text"/>	<input type="text"/>



The Max-Illume (MXL) Series has been developed to provide maximum energy-efficient, cost effective medium / high bay lighting in a clean, crisp design that is both appealing and functional. The MXL series offers versatility and flexibility in design and is cost effective in a wide range of applications.

Typical applications for this type of product are interior spaces with high mounting heights where high lumen output is required.

Applications include:

- Industrial Facilities
- Commercial / Retail Spaces
- Warehouse Facilities – Isles and Open Areas
- Government Facilities
- Storage Facilities
- Manufacturing Facilities



Twist-Lock style Lampholders (Standard)



Multi-Faceted Reflector (Designed for Maximum Efficiency and Optimal Distribution)



Vented Ballast Compartment (Allows for heat dissipation)



Mounting Details (Included in all Housings)

Note: RENOVA products are constantly being improved; therefore, the information shown is subject to change without notice. Always consult your lighting representative or RENOVA Lighting Systems, Inc. for the latest information.

## Design Features / Specifications

### CONSTRUCTION:

- Housing is manufactured from code gauge, die-formed cold rolled steel
- Aluminum alloy is optional – consult factory
- Mechanically fastened for strength and rigidity – Spot welded construction is optional
- Code gauge end caps and internal components
- 7/8" EKO's provided in end caps for row mounting
- Venting of lamp and ballast compartments are standard

### REFLECTOR / OPTICS:

- Reflectors are precision-formed, per UL aluminum construction standards, multi-faceted for maximum photometric performance
- Choice of reflector materials include High Reflectance White finish and Alanod Miro4 specular finish. Other options available – consult factory
- Custom reflector profiles are optional depending on required beam spread
- Reflectors are easily removed without the use of tools

### ELECTRICAL:

- All standard ballasts are instant start or program rapid start, UL listed, CEE rated high efficiency electronic, Class "P", Sound Rated "A", RoHS compliant and are the universal voltage (120v–277v) type. All ballasts are mechanically fastened into fixture housing. Other voltages are available – consult factory
- Many other lamp / ballast & wiring configurations are available – consult factory for all other available options
- All fixtures include Ballast (Luminaire) Disconnects as per UL 1598 standards

### FINISH:

- Pre-painted gloss white polyester powder coat baked white enamel finish is standard
- Post-painted gloss white polyester powder coat baked white enamel finish is optional
- Custom colors are optional

### LAMP HOLDERS:

- Twist-Lock style, snap-in, thermoplastic type ensure positive lamp retention
- High temperature rated (T-Rating)

### INSTALLATION:

- Fixture can be mounted several ways: Surface, Pendant, Chain or Cable

### CERTIFICATIONS:

- All fixtures are UL/CUL Listed and labeled
- Suitable for damp locations



Scan for additional information on this fixture type.



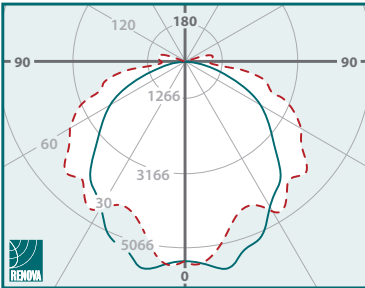


Innovative Lighting Ideas  
Energy Efficient Solutions

Series:  
**ECS Energy Conservation Series**

Fixture Type:  
**MXL Max-Illume**

**4 Lamp Photometric Data**

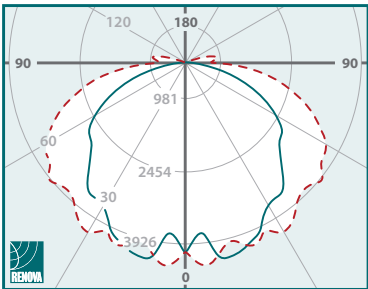


**ECS-MXL4-MN-454-UNV-22H**

Internal Test Report #: 05216  
Total Luminaire Efficiency: 95.6%  
Spacing Criterion:

- 0 deg 1.30      - - - 90 deg 1.39
- 180 deg 1.30    - - - 270 deg 1.39

**4 Lamp Photometric Data**



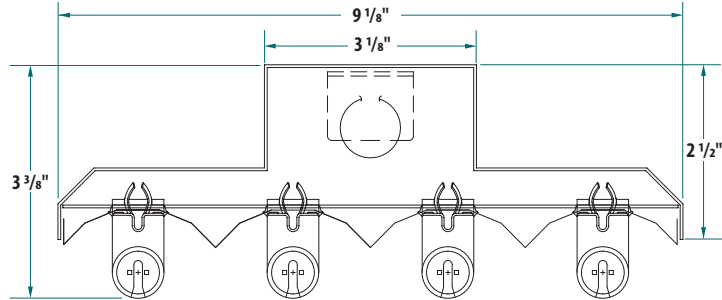
**ECS-MXL4-WN-454-UNV-22H**

Internal Test Report #: 05220  
Total Luminaire Efficiency: 92.1%  
Spacing Criterion:

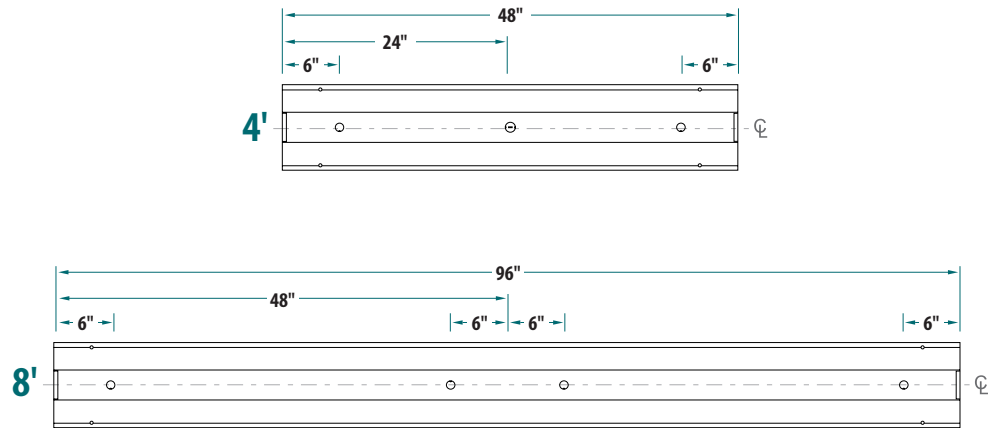
- 0 deg 1.37      - - - 90 deg 1.52
- 180 deg 1.37    - - - 270 deg 1.52

\*Please see website for all other photometric data.

**4-Lamp T5 HO Max-Illume Cross Section**



**Fixture Housing Dimensions**



Note: Unless otherwise specified, all EKO's are 7/8" diameter.

**Ordering Information**

Series	Fixture Type	Size	Reflector Material	Optics (Distribution)	# of Lamps	Lamp Type (Wattage)	Ballast Voltage	# of Ballasts	# Lamps per Ballast	Ballast Factor	Ballast Type	Options
<b>ECS</b>	<b>MXL</b>											
Energy Conservation Series	Max-Illume	4 - 48" 8 - 96"	M - Miro4 (95% TR) W - White (91% TR)	F - Focused N - Normal S - Spread C - Custom  *N - Normal is standard *C - Custom optics are described in "Options" box	1 - 1 Lamp 2 - 2 Lamp 3 - 3 Lamp 4 - 4 Lamp 4' Hsg 2 - 2 Lamp 4 - 4 Lamp 6 - 6 Lamp 8 - 8 Lamp 8' Hsg	32 - (4') 32w T8 54 - (4') 54w T5HO	120 - 120v, 60 Hz 277 - 277v, 60 Hz UNV - 120v-277v, 60 Hz (Multi-Tap) 347 - 347v, 60 Hz 480 - 480v, 60 Hz xxx - Less Ballast  *UNV - Universal voltage is standard	1 - 1 2 - 2 3 - 3 4 - 4	1 - 1 2 - 2 3 - 3 4 - 4	L - Low N - Normal H - High	IST - Instant Start RST - Rapid Start LVD - Low Voltage Dimming DIM - Line Voltage Dimming SDM - Step-Dimming	<b>ADDITIONAL OPTIONS</b> <i>(Please see separate "Options Sheet" for all available options)</i>



Fluorescent lamps contain small amounts of mercury. Such lamps are labeled "Contains Mercury" and / or with the symbol "Hg." Lamps that contain mercury must be disposed of in accordance with local requirements. Information regarding lamp recycling and disposal can be found at [www.lamprecycle.org](http://www.lamprecycle.org).