



Series: **Mini Puff 1x1** Fixture Type: **General Illumination**

Project Name	Fixture Type	Catalog #	Quantity
<input type="text"/>	<input type="text"/>	<input type="text"/>	<input type="text"/>



ECS Series Mini Puff 1x1	
Catalog #	Description
Complete Units	
Ordering Information	
Example: ECS-MP1X1-WN-132C-UNV-11N	
ECS	Model: ECS = Energy Conservation Series
MP1X1	Series: MP1x1 = Mini Puff 1x1
WN	Reflector: WN = White
132C	Wattage: 132C = Qty (1) 32 Watt Circleline Lamp
UNV	Driver Voltage: UNV = Universal Voltage (120v-277v)
11N	Ballast: 11N = Qty (1) 1 Lamp Normal Power Ballast

Design Features / Specifications

CONSTRUCTION

Sturdy, die-formed, 20 gauge, pre-painted white, steel housing. Available in 12" square housing.

MOUNTING

Designed for ceiling mounting. Mounts over electrical junction box. Mounting holes are provided.

FINISH

Phosphate coated, highly reflective, baked white enamel.

OPTICS

Diffusers are available in smooth, injection-molded white acrylic.

ELECTRICAL

Fixtures are UL/CUL listed and labeled.

Knockouts are provided on the back and ends for all types of wiring.

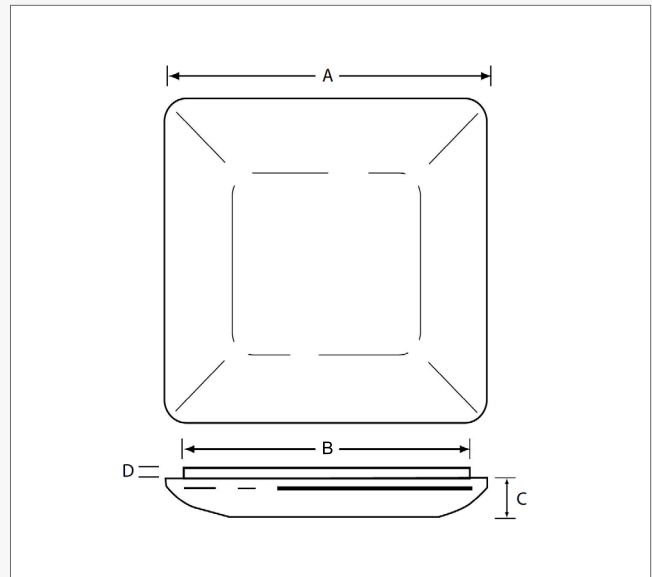
Slide-on or snap-in sockets are provided.

Ballast and sockets are replaceable without removing the fixture from the mounting surface. Standard ballasts are electronic 120v through 277v.

OPTIONS

Check product key or consult factory for available options.

Dimensional Information



A	B	C	D
12"	10.5"	2.625"	.375"

Note: RENOVA products are constantly being improved; therefore, the information shown is subject to change without notice. Always consult your lighting representative or RENOVA Lighting Systems, Inc. for the latest information.