



Series: **Argent Wall Pack (AWP)** Fixture Type: **Large Semi-Cutoff Wall Pack**

Project Name	Fixture Type	Catalog #	Quantity
<input type="text"/>	<input type="text"/>	<input type="text"/>	<input type="text"/>



Design Features / Specifications

HOUSING:
Die Cast Aluminum Housing & Hinged Front Frame with Stainless Steel Hinge Pins, 1/2" Coin Plugs with O-rings for Conduit & Photocell, Textured Architectural Bronze Powdercoat Finish Over a Chromate Conversion Coating, Includes Safety Cable to Prevent Front Frame Impact When Relamping

LENS:
Prismatic Borosilicate Glass Lens

MOUNTING:
Cast-in Template for Mounting Directly Over a 4" Recessed Outlet Box, or Use 1/2" Surface Conduit. Includes Easy-Hang "Two Hands Free" Wall-Mounting Plate with Leveling Device on Back

LED ARRAY:
Array Lumens: 7928
Delivered Lumens: 4944
CRI: 84
CCT: 5000K
Rated Life: 50,000 Hours
5-Year Warranty
Aluminum Boards

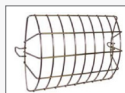
WATTAGE:
Array: 57.8w, System: 68.6w

DRIVER:
Electronic Driver, 120-277V, 50/60Hz
Dimmable Driver

LISTINGS & RATINGS:
CSA: Listed for Wet Locations

OPTIONS:
2.5KV Surge Protection

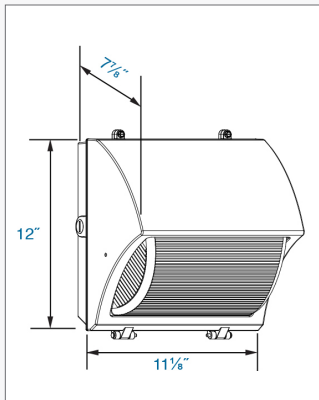
Custom Colors Available Upon Request.



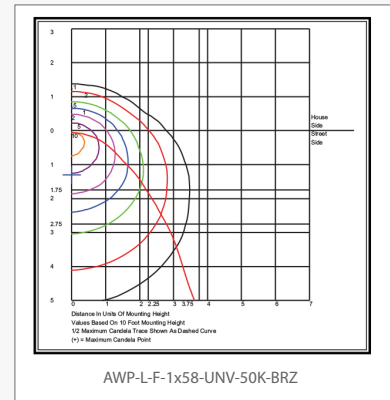
Argent Semi-Cutoff Wall Pack

Catalog #	Description
Complete Units	
Ordering Information	
Example: AWP-L-F-1x58-UNV-50K-BRZ	
AWP-L	Series: Argent Wall Pack (Large)
F	Optics: F=Medium Beam Spread
1X	Number of LED Arrays: 1X = One
58	Wattage: 58 = 58w
UNV	Driver: UNV=120-277V
50K	Color Temperature: 50K=5000K
	Color: BRZ=Bronze (Standard) CLR=Custom Color (Specify)
-	Mounting: N/A
	Options: SF=Single Fuse, DF=Double Fuse, SP=Surge Protection

Dimensional Information



Photometric Information



Catalog #	Description
AWP-L-WG	Wire Guard for AWP-L

Note: RENOVA products are constantly being improved; therefore, the information shown is subject to change without notice. Always consult your lighting representative or RENOVA Lighting Systems, Inc. for the latest information.