

The Radiance Series LED Luminaire family has been developed to dramatically improve energy efficiency and quality of light using Solid State Lighting (SSL) technologies. The Radiance Series LED Luminaires provide an energy efficient, low maintenance and compact, multi-patented, modern style which has been specifically designed to replace existing fluorescent and HID light sources or for use in new construction. Comfortable, low glare, uniform lighting is attributed to this style of luminaire. Typical applications for this type of product are primarily upscale parking garages. Applications include:

- Upscale Parking Garages & Stairwells
- Architecturally Designed Building Entrances
- Canopies and Overhangs
- Stylized Lighting for Damp/Wet Locations



Frosted Lens and Spider-less Ends Available



project:

fixture type:

catalog #:

quantity:

ORDERING GUIDE


RAD	2	-	-	-	-	-	-	CFG	-	-
PREFIX/SERIES	SIZE	OPTICS (DISTRIBUTION)	LUMEN OUTPUT	DRIVER VOLTAGE	DRIVER TYPE	COLOR TEMP.	LENS (DIFFUSER)	HOUSING COLOR/FINISH	FIXTURE OPTIONS	
RAD - Radiance	2 - 2'	S - Spread C - Custom (Specify)	L20 - 2000 L30 - 3000 L40 - 4000 L50 - 5000 L60 - 6000 L70 - 7000 L80 - 8000 L90 - 9000 L100 - 10000 LC - Custom (Specify)	UNV - Universal Voltage (120v - 277v) (60 Hz) 120 - 120v 277 - 277v	DM - 0-10v Low Voltage Dimming (10% - 100%) (Standard) SD - Step Dimming (50% - 100%) LV - Line Voltage Dimming *Specify Voltage (120v or 277v)	C40 - 4000 K C50 - 5000 K	CFG - Clear Acrylic with Frosted Acrylic Glare (Standard)	SM - Silver Metallic/ Clear, Anodized Aluminum (Standard) CS - Custom Finish (Specify)	C6E - 6' Power Cord (Black) 16/3 SE00W (End Mount) TP - Tamperproof Screws (4) per Fixture DC - Digital Control with Occupancy & Daylight Sensor OS - Occupancy Sensor PC - Photocell DT - "DainTree" Sensor LLT - "Limelight" Sensor EM - Emergency Battery Pack *	

RENOVA Products Listed on the DLC Qualified Products List (QPL)

-  GLT2-V5-5K
-  L - GLT2-RF-UNV-V1-P3-50K

*Standard "EM" option to be NiCd Battery @ 1000 Lumens @ 90 min. duration [standard]. Consult factory for all available options.
**RAD Radiance Luminaires have a lumen output range from 2000 through 10000 depending on driver/board configuration. Consult factory for correct catalog number on all custom configured lighting products.

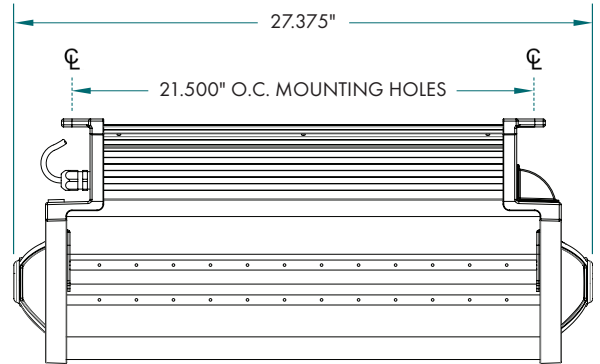
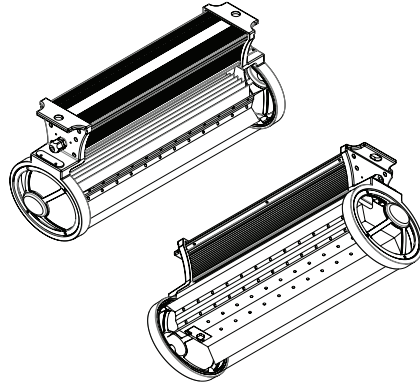
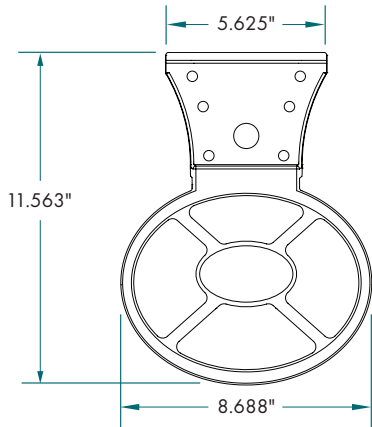
PRIOR TO REPLACING AN EXISTING FLUORESCENT FIXTURE, PLEASE NOTE THE FOLLOWING:

 Fluorescent lamps contain small amounts of mercury. Such lamps are labeled "Contains Mercury" and / or with the symbol "Hg." Lamps that contain mercury must be disposed of in accordance with local requirements. Information regarding lamp recycling and disposal can be found at www.lamprecycle.org.



DLC Application Category #5 "Parking Garage Luminaires."
Always refer to the DLC's Qualified Products List (QPL) for current Renova product listings.

RAD Cross Section



CONSTRUCTION

- Driver Compartment is extruded from 6063-T5 aluminum alloy.
- End caps are die-cast aluminum alloy.
- Housing (enclosure) is dust and moisture resistant and is Wet Location rated..
- Internal sheet metal components are manufactured from code gage cold rolled steel and / or aluminum alloy and are mechanically fastened for strength and rigidity.

GASKETING

- Gasket material to be closed-cell silicone type.

FINISH

Aluminum Housing & End Caps (External)

- Driver Compartment has a satin, clear anodized finish.
- End Caps have a metallic silver / grey (smooth) polyester powder coat baked enamel finish to match Driver Compartment (standard). Consult factory for all other available colors and finishes

Sheet Metal (Interior)

- High Reflectance Smooth White polyester powder coat baked enamel applied as either Pre-Painted or Post Painted.

LATCHES

- Stainless Steel latches are standard. Slide-action, stamped type with rolled edge for ease of use.
- Tamperproof fasteners are optional.

LED's/OPTICS

- LED boards manufactured specifically for commercial lighting applications. LED boards feature the latest mid-power LEDs or CREE high power LEDs for maximum performance, efficiency and longevity.
- Standard color temperatures offered are 4000K and 5000K. Consult factory for all other color temperature options. 80 CRI (Minimum). RoHS Compliant.
- Always consult factory for the latest developments and improvements concerning LEDs and Optics.

DRIVERS

- Electronic, Constant Current Type. Universal Voltage: 120v-277v (Standard).
- 0-10v low voltage dimmable. 10-100% (Standard) / 0-100% (Optional).
- Step-Dimming and Line Voltage Dimming Drivers are optional.
- UL Recognized Class 2, RoHS Compliant.

LENS (DIFFUSER)

- Injection molded acrylic lenses on End Caps can be ordered as either clear or frosted for exceptional LED hiding & reduced glare.
- Extruded clear, virgin acrylic lens with a extruded, frosted acrylic "glare shield" liner with high-light transmission properties for maximum efficiency.

MOUNTING

- Fixtures are designed to be surface mounted or suspended using pendant, aircraft cable or jack chain. Mounting Tabs are die-cast into End Caps. (2) per 2' Fixture. Consult factory for all other mounting options.

ELECTRICAL

- Fixtures are UL/CUL Wet Location listed and labeled.
- LM-80 performance for 50,000+ hours.
- Bi-Level dimming option allows 50% power for compliance with common energy codes.
- Driver disconnect provided where required to comply with US & Canadian codes.

QUALITY CONTROL

- All fixtures are designed, fabricated, painted, assembled, tested, packaged and shipped from RENOVA's manufacturing facility in Mansfield, MA (USA).

WARRANTY

- 5-Year Limited Warranty. Please refer to RENOVA's website @ www.renova.com/sales/warranties for the latest warranty terms and conditions.

PATENTS

Manufactured under one or more of the following U.S. Patent Numbers:

- 8,616,730 • D698976 • D650938 • D650939 • D650940

Manufactured under one or more of the following Canadian Patent Numbers:

- 2770722 • 2816585 • 142173

Other U.S. and Foreign Patents Pending.

NOTES:

LED Drivers have adjustable output capability. A wide range of input watts/lumen output can be adjusted up or down on all models to suit a particular application. Always consult factory for the latest information.

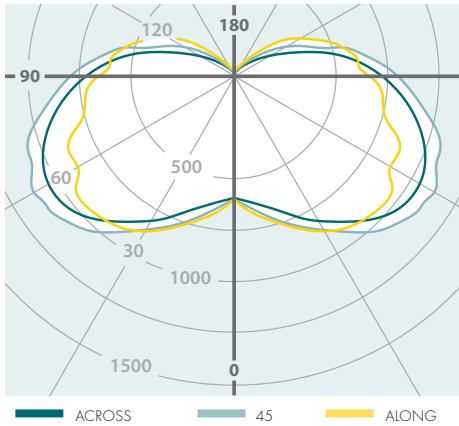
Photometric data, IES files and all other information is available on request.

RENOVA products are constantly being improved; therefore the information shown is subject to change without notice. Always consult your lighting representative or RENOVA Lighting Systems, Inc. for the latest information.



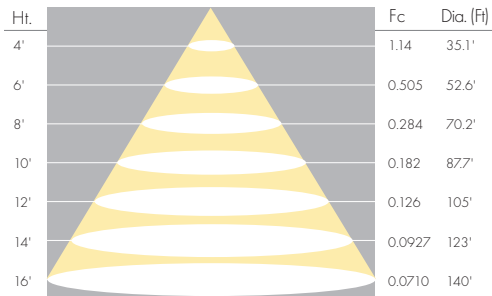
Catalog #: RAD2-S-L80-UNV-DM-C50-CFG
 Photometric Test Report #: 10516125-775758
 Delivered Lumens: 7921
 Efficacy (Lumens/Watt): 100.4
 Power: 78.89w @ 120 VAC
 Power Factor: 0.996
 Current THD: 9.11%
 CRI: 82.1
 CCT: 5136 K
 LED Life: 50,000+ hrs

Candela Distribution Polar Plot



Spacing/Mounting Height: 2.2
 SC (Along): 1.78 SC (Across): 2.2

Cone of Light Tabulation



Coefficients of Utilizations (%)
Effective Floor Cavity Reflectance 20 Per (pfc=0.20)

pcc	80			70			50		
	70	50	30	70	50	30	50	30	
RCR	0	113	113	113	107	107	107	97	97
	1	98	91	85	92	87	81	77	73
	2	87	77	68	82	72	64	64	58
	3	78	65	55	73	61	53	55	47
	4	71	57	47	66	54	44	48	40
	5	64	49	39	60	47	37	42	34
	6	58	43	34	54	41	32	37	29
	7	53	38	29	50	36	27	32	25
	8	49	34	25	46	32	24	29	22
	9	45	31	22	42	29	21	26	19
	10	42	28	19	40	26	19	24	17

Luminaire Summary CD./SQ.M.

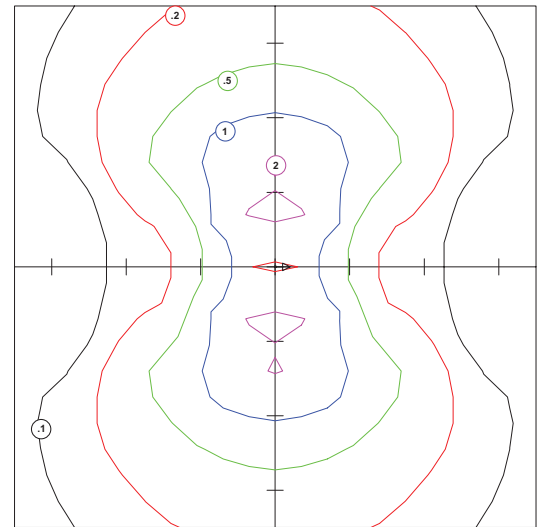
Angle	Along	45.0	Across
45	8354	6076	4970
55	10094	6875	5486
65	13083	7458	5818
75	17986	8263	5934
85	51249	8799	5990

Zonal Lumen Summary

Zone	Lumens	% Luminaire
0-30	646	8.16
0-40	1231	15.55
0-60	2975	37.56
0-90	5920	74.74
40-90	4689	59.20
60-90	2945	37.18
90-180	2001	25.26
0-180	7921	100.00

Horizontal Footcandles

Mounting Height = 8'-0" A.F.F.
 Maximum Calculated Value = 9.19 Fc



Grid Lines in Units of Mounting Height

■ 2fc ■ 1fc ■ .5fc ■ .2fc ■ .1fc