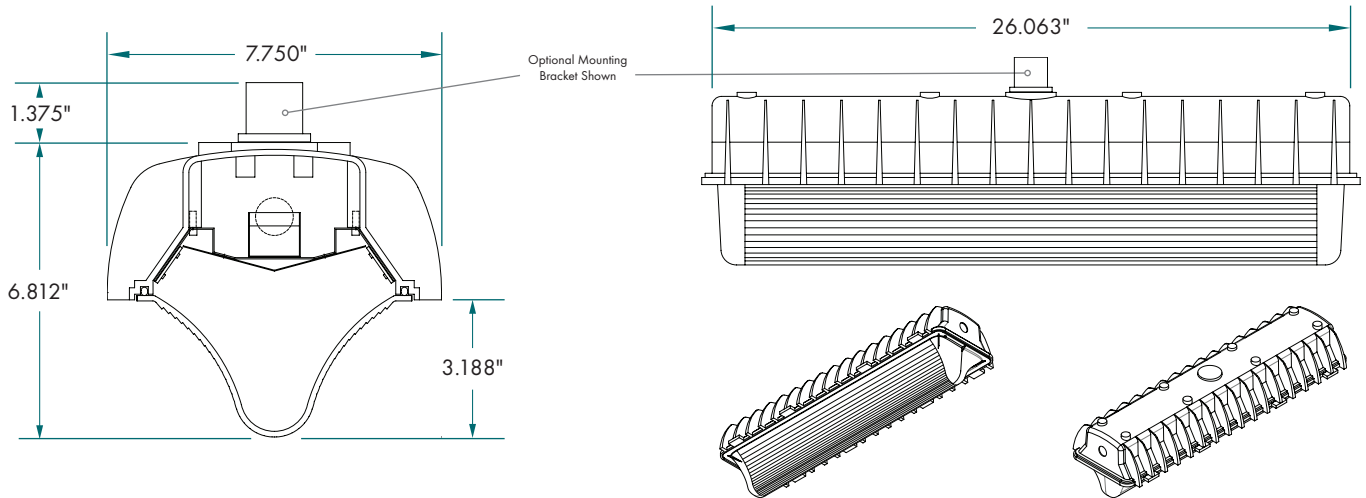


WDG Cross Section



CONSTRUCTION

- One-piece, die-cast, aluminum alloy housing designed specifically for LED Applications. Cooling fins are designed into housing for optimal thermal transfer.
- Housing (enclosure) is dust and moisture resistant and achieves IP66 Rating. Housing is also rated for Class I, Division II Hazardous locations.
- Internal sheet metal components are manufactured from 22 Ga. cold rolled steel and are mechanically fastened for strength and rigidity.

GASKETING

- Gasket material to be closed-cell silicone type.

FINISH

Aluminum Housing (External)

- High Reflectance Gloss White (smooth) polyester powder coat baked enamel (standard). Consult factory for all other available colors and finishes.

Sheet Metal (Interior)

- High Reflectance Smooth White polyester powder coat baked enamel applied as either Pre-Painted or Post Painted.

LATCHES

- Stainless Steel latches are standard. Slide-action, stamped type with rolled edge for ease of use.
- Tamperproof fasteners are optional.

LED's/OPTICS

- LED boards manufactured specifically for commercial lighting applications. LED boards feature the latest mid-power LEDs for maximum performance, efficiency and longevity.
- Standard color temperatures offered are 4000K and 5000K. Consult factory for all other color temperature options. 80 CRI (Minimum). RoHS Compliant.
- Always consult factory for the latest developments and improvements concerning LEDs and Optics.

DRIVERS

- Electronic, Constant Current Type. Universal Voltage: 120v-277v (Standard).
- 0-10v low voltage dimmable. 10-100% (Standard) / 0-100% (Optional).
- Step-Dimming and Line Voltage Dimming Drivers are optional.
- UL Recognized Class 2, RoHS Compliant.

LENS (DIFFUSER)

Injection molded lens provides exceptional LED hiding, low brightness surface and a wide, rectangular distribution. Lens material selections are:

- High-Impact clear, virgin acrylic with 30% DR additive used to increase resistance to breakage.
- High Impact frosted, virgin acrylic with 30% DR additive used to increase resistance to breakage.
- Clear, polycarbonate.

MOUNTING

- Fixtures are designed to be surface mounted or suspended using pendant, aircraft cable or jack chain. Stainless Steel mounting brackets are standard. (2) per 2' Fixture. Consult factory for all other mounting options.

ELECTRICAL

- Fixtures are UL/CUL Wet Location Listed and labeled.
- LM-80 performance for 50,000+ hours.
- Bi-Level dimming option allows 50% power for compliance with common energy codes.
- Driver disconnect provided where required to comply with US & Canadian codes

QUALITY CONTROL

- All fixtures are designed, fabricated, painted, assembled, tested, packaged and shipped from RENOVA's manufacturing facility in Mansfield, MA (USA).

WARRANTY

- 5-Year Limited Warranty. Please refer to RENOVA's website @ www.renova.com/sales/warranties for the latest warranty terms and conditions.

NOTES:

LED Drivers have adjustable output capability. A wide range of input watts/lumen output can be adjusted up or down on all models to suit a particular application. Always consult factory for the latest information.

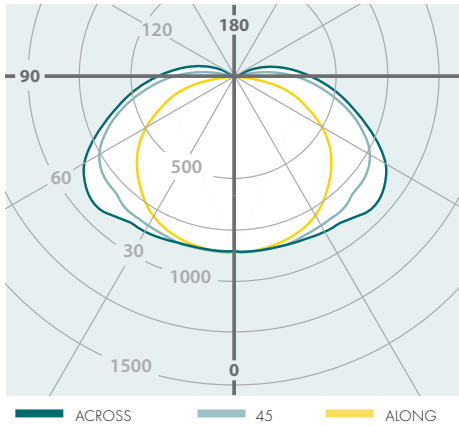
Photometric data, IES files and all other information is available on request.

RENOVA products are constantly being improved; therefore the information shown is subject to change without notice. Always consult your lighting representative or RENOVA Lighting Systems, Inc. for the latest information.



Catalog #: L-WDG2-MN135-UNV-37DM-W36-C40-FA
 Photometric Test Report #: 10405943-691886
 Delivered Lumens: 3541
 Efficacy (Lumens/Watt): 97.8
 Power: 36.20w @ 120 VAC
 Power Factor: 0.994
 Current THD: 5.88%
 CRI: 84.8
 CCT: 4237 K
 LED Life: 50,000+ hrs

Candela Distribution Polar Plot



Spacing/Mounting Height: 1.6
 SC (Along): 1.36 SC (Across): 1.61

Cone of Light Tabulation

Ht.	Fc	Dia. (Ft)
4'	41.7	5.96'
6'	18.5	8.93'
8'	10.4	11.9'
10'	6.67	14.9'
12'	4.63	17.9'
14'	3.41	20.8'
16'	2.61	23.8'

Coefficients of Utilizations (%)
Effective Floor Cavity Reflectance 20 Per (pfc=0.20)

RCR	pcc	80			70			50	
		70	50	30	70	50	30	50	30
	0	117	117	117	113	113	113	106	106
	1	103	97	92	100	94	89	88	84
	2	93	83	75	89	80	73	75	69
	3	83	72	62	80	69	61	65	58
	4	76	63	53	73	61	52	57	49
	5	69	55	46	66	54	44	50	42
	6	63	49	39	61	47	38	45	37
	7	58	43	34	56	42	33	40	32
	8	54	39	30	51	38	29	36	28
	9	50	35	27	48	34	26	32	25
	10	46	32	23	44	31	23	29	22

Luminaire Summary CD./SQ.M.

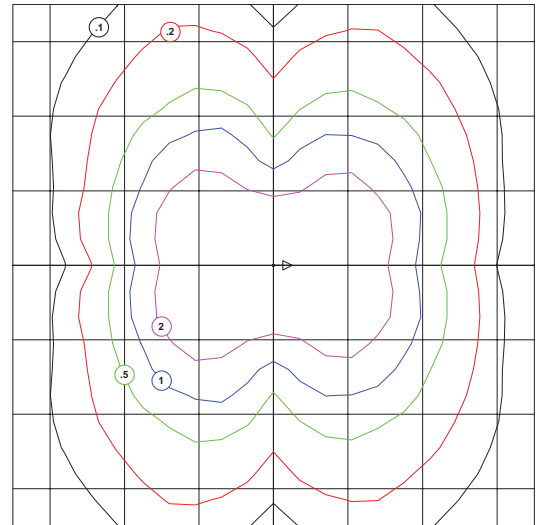
Angle	Along	45.0	Across
45	8878	7571	7653
55	9181	8037	7931
65	9466	8236	7534
75	9451	7827	6617
85	10923	7249	5819

Zonal Lumen Summary

Zone	Lumens	% Luminaire
0-30	557	15.73
0-40	964	27.22
0-60	1987	56.10
0-90	3195	90.22
40-90	2231	62.99
60-90	1208	34.12
90-180	346	9.78
0-180	3541	100.00

Horizontal Footcandles

Mounting Height = 8'-0" A.F.F.
 Maximum Calculated Value = 9.19 Fc



Grid Lines in Units of Mounting Height

█ 2fc █ 1fc █ .5fc █ .2fc █ .1fc