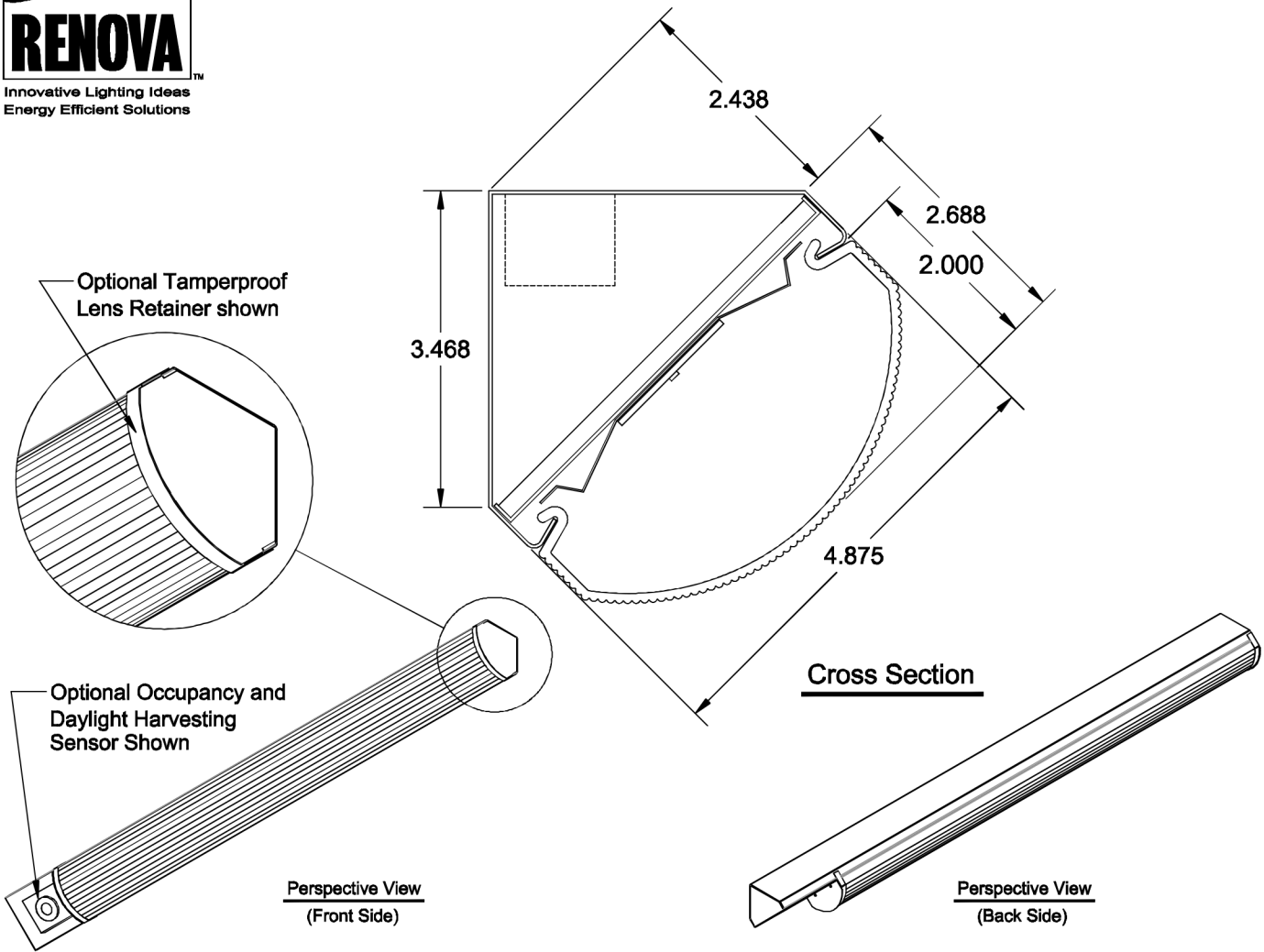




Series: Profile - Corner Mount (PCM) Fixture Type: General Purpose Linear LED



Ordering Information

Prefix / Series	Size	Optics (Distribution)	Lumen Output	Driver Voltage	Driver Type	Color Temp.	Lens (Diffuser)	Housing Color / Finish	Row Config.	Options	Options (Cont.)
PCM											
PCM - "Profile" Series Architectural Corner Mount Luminaire	2 - 24" 3 - 36" 4 - 48" 6 - 72" 8 - 96"	N - Normal C - Custom (Specify)	L016 - 1500 L020 - 2000 L030 - 3000 L040 - 4000 L050 - 5000 L060 - 6000 L080 - 8000 L100 - 10000 L120 - 12000 LC - Custom (Specify)	UNV - Universal Voltage (120v - 277v) 120 - 120v * 277 - 277v * 347 - 347v * (* - Indicates Special Order)	DM - 0-10v Low Voltage Dimming (10%-100%) (Standard) SD - Step Dimming (50% / 100%) LV - Line Voltage Dimming (Specify Voltage) 120v or 277v	C30 - 3000K * C35 - 3500K C40 - 4000K C50 - 5000K * (* - Indicates Special Order)	AF - Acrylic, Frosted Heavy Duty 0.125" Thick (Standard) CS - Custom (Specify)	GW - Gloss White (Standard) TW - Textured White TB - Textured Black SM - Silver Metallic CS - Custom Finish (Specify)	IND - Individual SND - END (Start of Row) END - End MID - Middle	CMX - Adj. A/C Cable Mount (*X' = Specify Length) PMX - Pendant Mount (*X' = Specify Length) PCX - Power Cord (*X' = Specify Length) OCS - Occupancy Sensor (Specify) PHC - Photocell (Specify Voltage) DLH - Daylight Harvesting CMB - Custom Mounting Brackets (Specify)	QP1 - Quick Plug Wire Harness 12 Ga. 20amp Single Circuit EMPK - Emergency Battery Back-Up (Specify Lumen Output / Duration) WCS - Wireless Control System (Specify) TLR - Tamperproof Lens Retainer (Match Housing Color) HDW - Heavy Duty Wireguard (White Powdercoat)

SPECIFICATIONS:

- HOUSING TO BE PRECISION DIE-FORMED 20 GA. CRS. HOUSING ASSEMBLY TO BE SPOT-WELDED FOR RIGIDITY.
- ALL INTERNAL PARTS TO BE STEEL OR ALUMINUM.
- FINISH TO BE POLYESTER POWDER COAT BAKED ENAMEL APPLIED OVER RUST INHIBITING PRE-WASH TREATMENT.
- LENS / DIFFUSER TO BE CUSTOM EXTRUDED FROM A HIGH-LIGHT TRANSMISSION 100% VIRGIN ACRYLIC BLEND (FROSTED FOR MAXIMUM GLARE REDUCTION.)
- HIGH EFFICIENCY LED BOARDS TO BE FIELD SERVICEABLE.
- ELECTRONIC LED DRIVER(S) TO BE UNIVERSAL VOLTAGE (120v-277v), CLASS II, UL/CUL LISTED.
- CUSTOM MOUNTING OPTIONS AVAILABLE AS REQUIRED.
- CUSTOM COLORS, FINISHES & COLOR MATCHING AVAILABLE.
- OPTIONAL HEAVY DUTY WIREGUARD FABRICATED FROM 0.125" DIA. MILD STEEL. FINISH TO BE POLYESTER POWDER COAT BAKED WHITE ENAMEL.
- FIXTURE TO BE UL/CUL LISTED AND LABELED FOR DRY / DAMP LOCATIONS.





Series: **Profile - Corner Mount (PCM)** Fixture Type: **General Purpose Linear LED**

RENOVA Catalog Number	Delivered Lumens	Input Watts	Lumens per Watt
PCM2-N-L015-UNV-DM-C40-AF-XX-XXX-XXX	1499	11.62	129.00
PCM2-N-L020-UNV-DM-C40-AF-XX-XXX-XXX	1856	15.37	120.75
PCM2-N-L030-UNV-DM-C40-AF-XX-XXX-XXX	2867	23.39	122.57
PCM2-N-L040-UNV-DM-C40-AF-XX-XXX-XXX	4016	32.41	123.91
PCM3-N-L015-UNV-DM-C40-AF-XX-XXX-XXX	1526	11.86	128.67
PCM3-N-L020-UNV-DM-C40-AF-XX-XXX-XXX	2013	16.39	122.81
PCM3-N-L030-UNV-DM-C40-AF-XX-XXX-XXX	2947	23.16	127.24
PCM3-N-L040-UNV-DM-C40-AF-XX-XXX-XXX	4106	33.07	124.16
PCM4-N-L015-UNV-DM-C40-AF-XX-XXX-XXX	1562	12.02	129.95
PCM4-N-L020-UNV-DM-C40-AF-XX-XXX-XXX	2146	15.35	139.80
PCM4-N-L030-UNV-DM-C40-AF-XX-XXX-XXX	3164	22.17	142.71
PCM4-N-L040-UNV-DM-C40-AF-XX-XXX-XXX	4123	29.52	139.67
PCM8-N-L030-UNV-DM-C40-AF-XX-XXX-XXX	3358	21.98	152.77
PCM8-N-L040-UNV-DM-C40-AF-XX-XXX-XXX	4397	29.03	151.46
PCM8-N-L060-UNV-DM-C40-AF-XX-XXX-XXX	6432	43.66	147.32
PCM8-N-L080-UNV-DM-C40-AF-XX-XXX-XXX	8336	59.00	141.29

* Note: LED Dimming Drivers have adjustable (programmable) output capability. A wide range input watts / lumen output can be adjusted up or down on all models to suit a particular application. Always consult factory for the latest information.

RENOVA products are constantly being improved; therefore the information shown is subject to change without notice. Always consult with your lighting representative or RENOVA Lighting Systems, Inc. for the latest information.