

15 Watt Multi-Purpose LED Area Light

Prefix: LEDMPAL15

The LEDMPAL series is a group of architectural LED area luminaires designed to illuminate parking areas, pathways, building facades, loading docks, and a wide variety of other large, general site lighting applications. Multiple mounting options make the LEDMPAL a versatile luminaire for flood lighting, pole-, ground- and wall-mounted area lighting, and other outdoor lighting requirements.



project:

fixture type:

catalog #:

quantity:

ORDERING GUIDE

LEDMPAL15	-		-	
MODEL		MOUNTING OPTIONS		COLOR TEMPERATURE
LEDMPAL15 - 15 Watt Multi-Purpose LED Area Light		Y - Yoke Mount K - Knuckle Mount		3K - 3000k 4K - 4000k 5K - 5000k

EXAMPLE: LEDMPAL15-Y-3K + MPAL15-FGS

SHIELDS & WIRE GUARDS (SEE LINE DRAWINGS ON PAGE 3)
MPAL15-FGS - Full Glare Shield, 15W MPAL15-HGS - Half Glare Shield, 15W MPAL15-WG - Wire Guard, 15W

FEATURES

- Available in 3000k (warm white), 4000K (neutral white) and 5000K (cool white).*
- Long-life LEDs provide 69,000 hours of operation with at least 70% of initial lumen output (L70).**
- Delivers 1,570 lumens & 105 lumens per watt (LPW) at 3000k; 1,615 lumens and 108 LPW at 4000k; and 1,667 lumens & 111 LPW at 5000k.*
- Standard optic provides an IES roadway type V distribution, or a 7V (vertical) x 7H (horizontal) NEMA floodlight distribution.
- Universal 120-277 AC voltage (50-60Hz) is standard.
- Power factor > 0.90.
- Total harmonic distortion < 20%.
- Color rendering index > 80.
- Optional full glare shields, half glare shields & wire guards are available.
- Die cast aluminum housing with durable, dark bronze powder coat finish, and a heat-resistant polycarbonate lens.
- Wireway enclosure is sealed with a water-tight, silicon rubber gasket.
- Effective projected areas (EPA's) are:
 - Front = 0.05 square feet
 - Side = 0.04 square feet
 - Face = 0.12 square feet
- Easy installation in new construction or retrofit applications.

WARRANTY & LISTINGS

- cULus listed for wet locations (-30°C to 40°C / -22°F to 104°F)
- IP65 rated.
- DLC standard approved.
- Complies with FCC Part 15, Class B.
- Complies with EN61000-4-5, surge immunity (1kV).
- 5-year warranty on all electronics and housing.

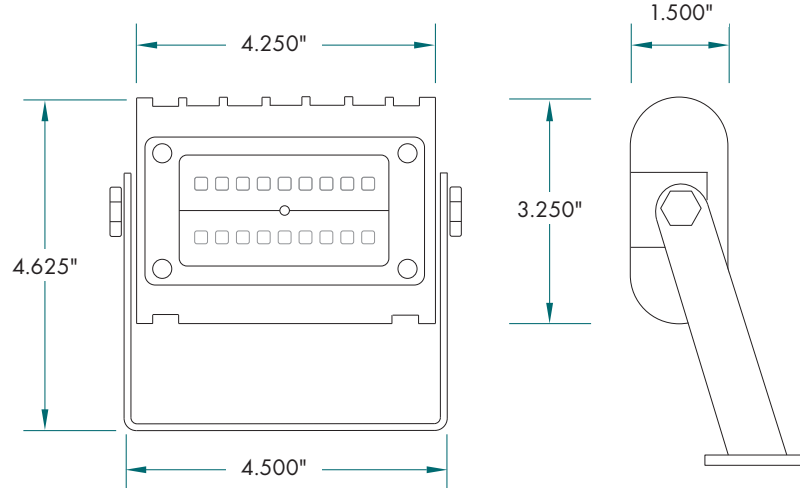
MOUNTING OPTIONS

- Yoke-mount option provides secure attachment to flat surfaces.
- Aluminum die-cast knuckle-mount option is installed on a junction box. Includes 1/2" NPS stem with locking nut.

* Contact factory for other color temperatures and lumen packages

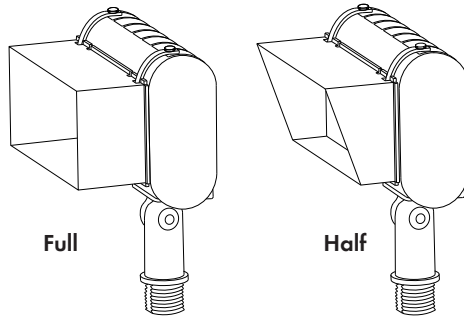
** L₇₀ hours are IES TM-21-11 calculated hours.

Dimensions

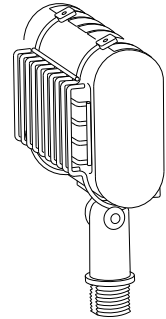


Weight: 1 lb

Shields



Wire Guards



Electrical Data

Model	Color Temp.	CRI ¹	Luminaire Lumens	Luminaire Watts	Lumens/Watt	Input Voltage ²	Input Current			Power Factor	THD ³	L ₇₀ Hours ⁴
							120V	240V	277V			
LEDMPAL15-3K	3000k	>80	1,570	15	105	120-277	0.13	0.06	0.05	>90%	<20%	69,000
LEDMPAL15-4K	4000k	>80	1,615	15	108	120-277	0.13	0.06	0.05	>90%	<20%	69,000
LEDMPAL15-5K	5000k	>80	1,667	15	111	120-277	0.13	0.06	0.05	>90%	<20%	69,000

¹ Color rendering index.

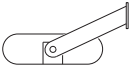
² All 50-60Hz.

³ Total harmonic distortion.

⁴ L₇₀ refers to the number of hours at which lumen output declines to 70% of the initial level. L₇₀ hours are IES TM-21-11 calculated hours.

Photometric Data

Luminaire Orientation:

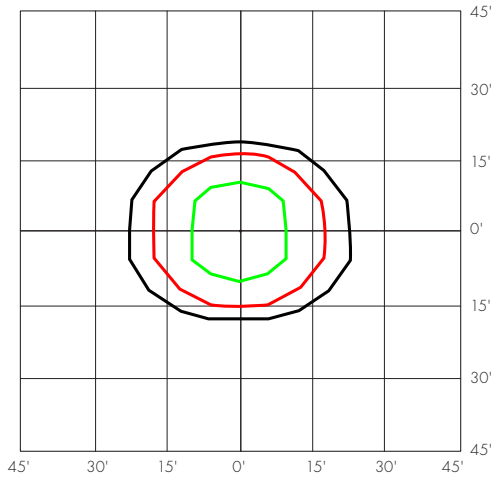


LEDMPAL15-5K
(1,667 Lumens, Type V Distribution)

BUG Rating: B1-U1-G0

Foot Candles

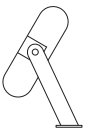
- 5 fc
- 2 fc
- 1 fc
- .5 fc
- .2 fc
- .1 fc



Zone	Lumens	% Luminaire
FL - Front-Low (0-30)	260	16%
FM - Front-Medium (30-60)	502	30%
FH - Front-High (60-80)	94	6%
FVH - Front-Very High (80-90)	6	0%
Total Forward Light	862	52%
BL - Back-Low (0-30)	254	15%
BM - Back-Medium (30-60)	459	28%
BH - Back-High (60-80)	86	5%
BVH - Back-Very High (80-90)	5	0%
Total Back Light	804	48%
UL - Up-Low (0-30)	0	0%
UM - Up-Medium (30-60)	1	0%
Total Up Light	1	0%
TOTAL LUMENS	1,667	100%

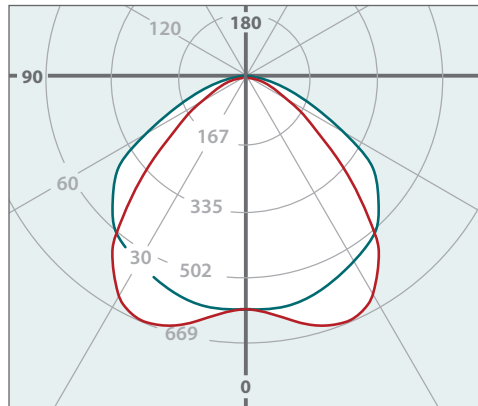
Notes: (1) Isofootcandle plots depict initial footcandles at grade.
(2) Gridlines represent units of mounting height of 15 feet.

Luminaire Orientation:



Maximum Candela:
669

Horizontal
Vertical



NEMA Floodlight Type Data

Field Angles	
Horizontal	147°
Vertical	133°
NEMA Type	
Horizontal	7H
Vertical	7V