

30 Watt Multi-Purpose LED Area Light

Prefix: LEDMPAL30

The LEDMPAL series is a group of architectural LED area luminaires designed to illuminate parking areas, pathways, building facades, loading docks, and a wide variety of other large, general site lighting applications. Multiple mounting options make the LEDMPAL a versatile luminaire for flood lighting, pole-, ground- and wall-mounted area lighting, and other outdoor lighting requirements.



project:

fixture type:

catalog #:

quantity:

ORDERING GUIDE

<b>LEDMPAL30</b>			
<b>MODEL</b>	<b>MOUNTING OPTIONS</b>	<b>COLOR TEMPERATURE</b>	<b>SHIELDS &amp; WIRE GUARDS (SEE LINE DRAWINGS ON PAGE 3)</b>
LEDMPAL30 - 30 Watt Multi-Purpose LED Area Light	<b>Y</b> - Yoke Mount <b>K</b> - Knuckle Mount	<b>3K</b> - 3000k <b>4K</b> - 4000k <b>5K</b> - 5000k	<b>MPAL30-FGS</b> - Full Glare Shield, 15W <b>MPAL30-HGS</b> - Half Glare Shield, 15W <b>MPAL30-WG</b> - Wire Guard, 15W

FEATURES

- Available in 3000k (warm white), 4000K (neutral white) and 5000K (cool white).\*
- Long-life LEDs provide 69,000 hours of operation with at least 70% of initial lumen output (L70).\*\*
- Delivers 3,453 lumens & 115 lumens per watt (LPW) at 3000k; 3,586 lumens and 120 LPW at 4000k; and 3,718 lumens & 124 LPW at 5000k.\*
- Standard optic provides an IES roadway type V distribution, or a 7V (vertical) x 7H (horizontal) NEMA floodlight distribution.
- Universal 120-277 AC voltage (50-60Hz) is standard.
- Power factor > 0.90.
- Total harmonic distortion < 20%.
- Color rendering index > 80.
- Optional full glare shields, half glare shields & wire guards are available.
- Die cast aluminum housing with durable, dark bronze powder coat finish, and a heat-resistant polycarbonate lens.
- Wireway enclosure is sealed with a water-tight, silicon rubber gasket.
- Effective projected areas (EPA's) are:
  - Front = 0.09 square feet
  - Side = 0.07 square feet
  - Face = 0.29 square feet
- Easy installation in new construction or retrofit applications.

WARRANTY & LISTINGS

- cULus listed for wet locations (-30°C to 40°C / -22°F to 104°F)
- IP65 rated.
- DLC standard approved.
- Complies with FCC Part 15, Class B.
- Complies with EN61000-4-5, surge immunity (1kV).
- 5-year warranty on all electronics and housing.

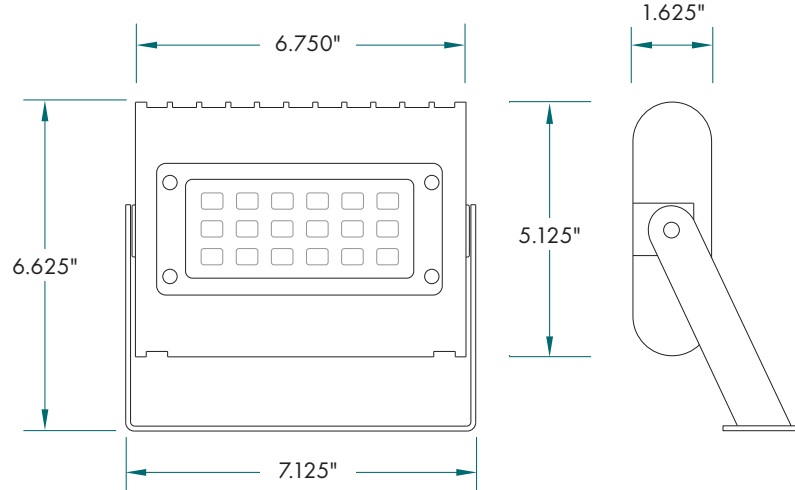
MOUNTING OPTIONS

- Yoke-mount option provides secure attachment to flat surfaces.
- Aluminum die-cast knuckle-mount option is installed on a junction box. Includes 1/2" NPS stem with locking nut.

\* Contact factory for other color temperatures and lumen packages

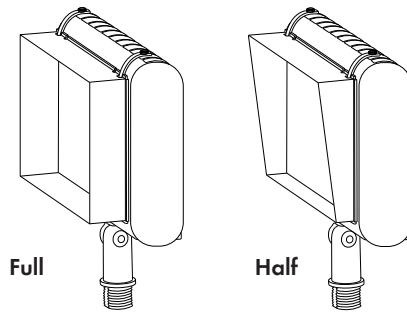
\*\* L<sub>70</sub> hours are IES TM-21-11 calculated hours.

Dimensions

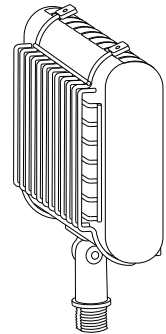


Weight: 2.6 lb

Shields



Wire Guards



Electrical Data

Model	Color Temp.	CRI <sup>1</sup>	Luminaire Lumens	Luminaire Watts	Lumens/Watt	Input Voltage <sup>2</sup>	Input Current			Power Factor	THD <sup>3</sup>	L <sub>70</sub> Hours <sup>4</sup>
							120V	240V	277V			
LEDMPAL30-3K	3000k	>80	3,453	30	115	120-277	0.25	0.13	0.11	>90%	<20%	69,000
LEDMPAL30-4K	4000k	>80	3,586	30	120	120-277	0.25	0.13	0.11	>90%	<20%	69,000
LEDMPAL30-5K	5000k	>80	3,718	30	124	120-277	0.25	0.13	0.11	>90%	<20%	69,000

<sup>1</sup> Color rendering index.

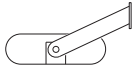
<sup>2</sup> All 50-60Hz.

<sup>3</sup> Total harmonic distortion.

<sup>4</sup> L<sub>70</sub> refers to the number of hours at which lumen output declines to 70% of the initial level. L<sub>70</sub> hours are IES TM-21-11 calculated hours.

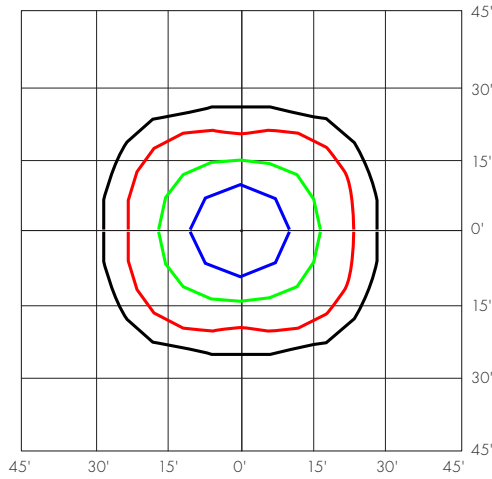
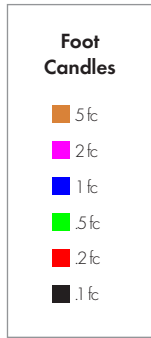
Photometric Data

Luminaire Orientation:



**LEDMPAL30-5K**  
(3,718 Lumens, Type V Distribution)

BUG Rating: B1-U1-G1



Zone	Lumens	% Luminaire
FL - Front-Low (0-30)	458	12%
FM - Front-Medium (30-60)	1,025	28%
FH - Front-High (60-80)	326	9%
FVH - Front-Very High (80-90)	34	1%
<b>Total Forward Light</b>	<b>1,843</b>	<b>50%</b>
BL - Back-Low (0-30)	466	13%
BM - Back-Medium (30-60)	1,041	28%
BH - Back-High (60-80)	330	9%
BVH - Back-Very High (80-90)	34	1%
<b>Total Back Light</b>	<b>1,871</b>	<b>50%</b>
UL - Up-Low (0-30)	1	0%
UM - Up-Medium (30-60)	4	0%
<b>Total Up Light</b>	<b>4</b>	<b>0%</b>
<b>TOTAL LUMENS</b>	<b>3,718</b>	<b>100%</b>

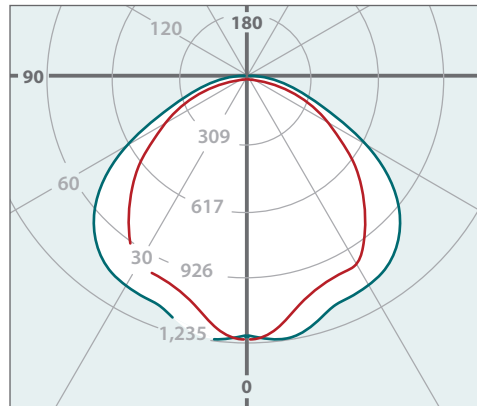
Notes: (1) Isofootcandle plots depict initial footcandles at grade.  
(2) Gridlines represent units of mounting height of 15 feet.

Luminaire Orientation:



Maximum Candela:  
1,235

Horizontal  
Vertical



NEMA Floodlight Type Data

Field Angles	
Horizontal	163°
Vertical	152°
NEMA Type	
Horizontal	7H
Vertical	7V