

The LEDWPPC wall pack series is an economical solution for outdoor perimeter and area lighting. With a built-in photocell, and a polycarbonate housing and lens, the LEDWPPC is a versatile and durable outdoor luminaire. High-efficacy, long-life LEDs provide both energy and maintenance cost savings compared to traditional, HID wall packs.



project:

fixture type:

catalog #:

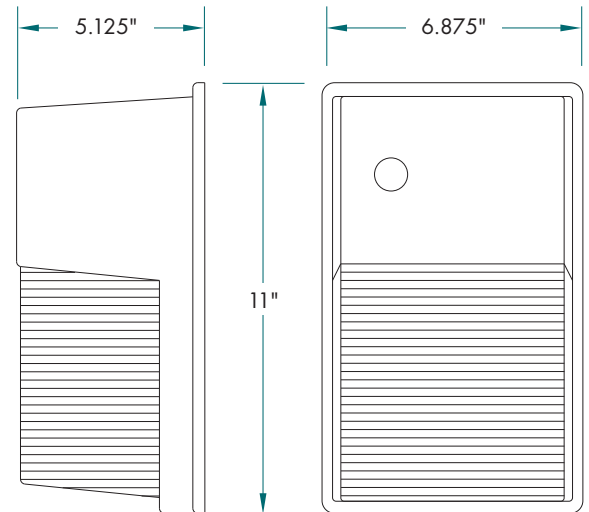
quantity:



**ORDERING GUIDE**

EXAMPLE: LEDWPPC20W-4K

MODEL	COLOR TEMPERATURE
<p><b>LEDWPPC20W</b> - 23 Watt Polycarbonate LED Wall Pack  <b>LEDWPPC30W</b> - 29 Watt Polycarbonate LED Wall Pack</p>	<p><b>4K</b> - 4000k  <b>5K</b> - 5000k</p>



**FEATURES**

- Available in 4000k (neutral white) and 5000k (cool white) color temperatures.\*
- LEDWPPC20W delivers 1,031 lumens and 45 lumens per watt (LPW).\*
- LEDWPPC30W delivers 2,465 lumens and 85 lumens per watt (LPW).\*
- Universal 120-277 AC voltage (50-60Hz) is standard.

- Built-in, button-type photocell (120 AC voltage only).
- Power factor > 0.90.
- Total harmonic distortion < 20%.
- Color rendering index > 70.
- Polycarbonate housing with a painted, die cast aluminum back plate, and a seamless gasket to prevent leaks.
- Fluted, polycarbonate lens for even light distribution.
- Easy installation in new construction or retrofit.

**WARRANTY & LISTINGS**

- cULus listed for wet locations (-20°C to 40°C / -4°F to 104°F).
- IP54 rated.
- Complies with FCC Part 15, Class B.
- 3-year warranty on all electronics and housing

\* Contact factory for other color temperatures and lumen packages

Electrical Data

Model	Color Temp.	CRI <sup>1</sup>	Luminaire Lumens	Luminaire Watts	Lumens/Watt	Input Voltage <sup>2</sup>	Input Current			Power Factor	THD <sup>3</sup>
							120V	240V	277V		
LEDWPPC20W-4K	4000k	>70	1,031	23	45	120-277	0.19	0.10	0.08	>90%	<20%
LEDWPPC20W-5K	5000k	>70	1,031	23	45	120-277	0.19	0.10	0.08	>90%	<20%
LEDWPPC30W-4K	4000k	>70	2,465	29	85	120-277	0.24	0.12	0.10	>90%	<20%
LEDWPPC30W-5K	5000k	>70	2,465	29	85	120-277	0.24	0.12	0.10	>90%	<20%

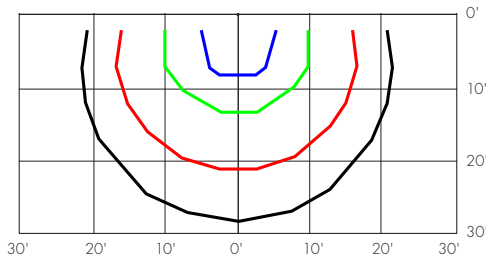
<sup>1</sup> Color rendering index.

<sup>2</sup> All 50-60Hz.

<sup>3</sup> Total harmonic distortion.

Photometric Data

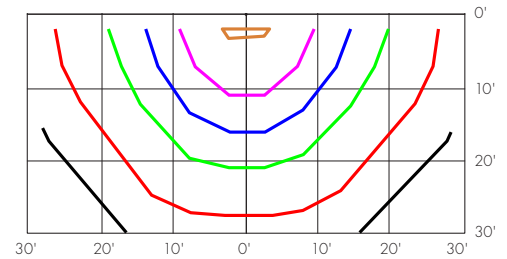
LEDWPPC20W-5K (1,031 Lumens)



BUG Rating: B4-U3-G3

Zone	Lumens	% Luminaire
FL – Front-Low (0-30)	71	7%
FM – Front-Medium (30-60)	213	21%
FH – Front-High (60-80)	174	17%
FVH – Front-Very High (80-90)	83	8%
<b>Total Forward Light</b>	<b>540</b>	<b>52%</b>
BL – Back-Low (0-30)	27	3%
BM – Back-Medium (30-60)	39	4%
BH – Back-High (60-80)	19	2%
BVH – Back-Very High (80-90)	14	1%
<b>Total Back Light</b>	<b>100</b>	<b>10%</b>
UL – Up-Low (0-30)	122	12%
UM – Up-Medium (30-60)	269	26%
<b>Total Up Light</b>	<b>391</b>	<b>38%</b>
<b>TOTAL LUMENS</b>	<b>1,031</b>	<b>100%</b>

LEDWPPC30W-5K (2,465 Lumens)



BUG Rating: B5-U3-G3

Zone	Lumens	% Luminaire
FL – Front-Low (0-30)	272	11%
FM – Front-Medium (30-60)	632	26%
FH – Front-High (60-80)	413	17%
FVH – Front-Very High (80-90)	123	5%
<b>Total Forward Light</b>	<b>1,440</b>	<b>58%</b>
BL – Back-Low (0-30)	219	9%
BM – Back-Medium (30-60)	322	13%
BH – Back-High (60-80)	181	7%
BVH – Back-Very High (80-90)	56	2%
<b>Total Back Light</b>	<b>778</b>	<b>32%</b>
UL – Up-Low (0-30)	96	4%
UM – Up-Medium (30-60)	151	6%
<b>Total Up Light</b>	<b>246</b>	<b>10%</b>
<b>TOTAL LUMENS</b>	<b>2,465</b>	<b>100%</b>

Notes:  
(1) Isofootcandle plots depict initial footcandles at grade.  
(2) Gridlines represent units of mounting height of 10 feet.