

6" Commercial Recessed LED Downlight

Prefix: CLR6

Designed for both new construction and retrofit applications, the CLR Series can be installed directly into drywall, a ceiling grid or an existing 6" CFL mounting frame with its spring loaded retention tabs and a J-box cable connection. Offering a full range of dimming from 0-10 volts, the base fixture is white but has available trims in nickel, oil-rubbed bronze and black making it adaptable to most any environment. The versatility of this light source is perfect for commercial applications, such as educational and governmental facilities, retail and grocery lighting, offices or hospitality.



project:

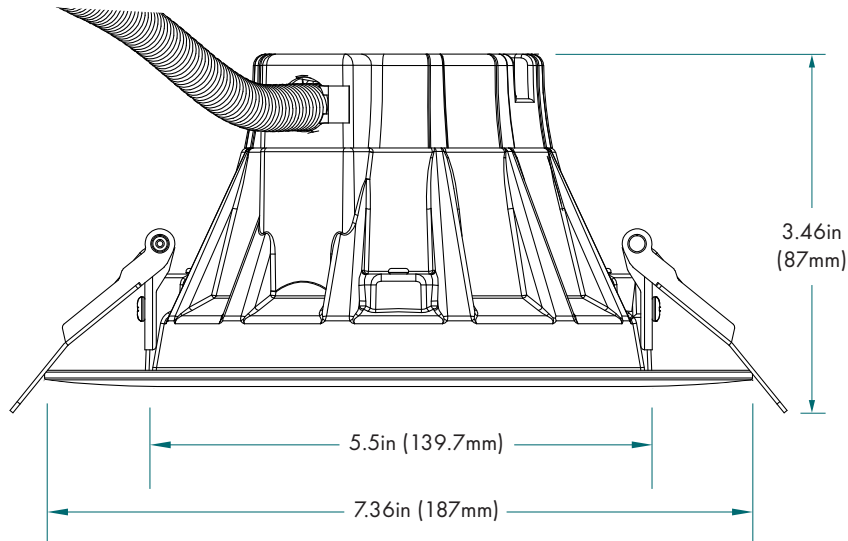
fixture type:

catalog #:

quantity:

ORDERING GUIDE

<b>CLR6</b>	-		-	<b>UNV</b>	-		-	<b>WH</b>	-	
PREFIX/SERIES	LUMEN OUTPUT	DRIVER VOLTAGE	CCTs	COLOR	FIXTURE OPTIONS					
CLR6 - 6" Commercial Recessed LED Downlight Troffer	10 - 1000 1015 - 1500	UNV - Universal Voltage (120v - 277v) (60 Hz)	30 - 3000 K* 35 - 3500 K* 40 - 4000 K  *3000 K only available for CLR6-10, 3500 K only available for CLR6-1015	WH - White	EXT - Extension Ring for 8" Frame					



#### CONSTRUCTION

- Cast aluminum heat sink
- Matte white plastic trim
- Certified for direct contact with insulation. Consult factory for all options or any modifications needed.

#### OPTICAL SYSTEM

- Polystyrene diffuse creates uniform light distribution that reduces glare without sacrificing lumen output.

#### ELECTRICAL

- Universal input 120 277VAC
- Driver delivers full-range dimming from 0 - 10VDC
- Silent and flicker-free operation
- Tight LED binning ensures color uniformity
- Operating temperature of 0° to 120°F (-18°C to 49°C)

- Meets FCC Part 15, Subpart B, Class A standards for conducted and radiated emissions
- TM-21 Reported L70(10k) life >60,000 hours
- TM-21 Calculated L70(10k) life = 60,000 hours
- LM-79, LM-80 testing performed in accordance with IESNA standards.

#### FINISH

- Matte white, smooth plastic trim.

#### INSTALLATION

- Easy installation into most 6" incandescent or fluorescent frames
- Housing or frame not needed for new construction installation.
- Suitable for wet locations
- Adjustable, spring loaded retention tabs ensure secure fixture retention

- For installations where power surge may be possible, NICOR recommends installing additional surge protection at the fixture or electrical distribution panel.

#### WARRANTY

- 5-Year limited warranty. Please refer to RENOVA's website at [www.renova.com/warranties](http://www.renova.com/warranties) for the latest warranty terms and conditions.
- Warranty does not cover product failure due to an overvoltage event (power surge)

#### NOTES:

LED Dimming Drivers have adjustable output capability. A wide range of input watts/lumen output can be adjusted up or down on all models to suit a particular application. Always consult factory for the latest information.

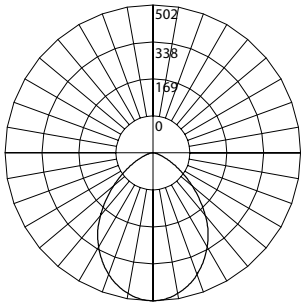
Photometric data, IES files and all other information is available on request.

RENOVA products are constantly being improved; therefore the information shown is subject to change without notice. Always consult your lighting representative or RENOVA Lighting Systems, Inc. for the latest information.

Photometric Data

CLR6 3000L 1000Lm

Input Voltage (VAC): 120-277V  
System Level Power (W): 10  
Delivered Lumens: 1001  
System Efficacy (Lm/W): 100.1  
Correlated Color Temp (K): 2944  
Color Rendering Index (CRI): 83  
Beam Angle: 86.3°  
Spacing Criteria: 1.11



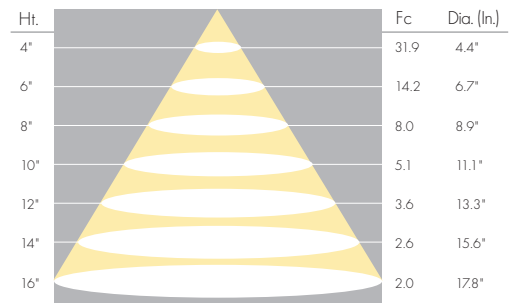
Intensity Summary  
(Candle Power)

Angle	Mean CP
0	502
5	497
15	462
25	406
35	326
45	224
55	128
65	58
75	21
85	6
90	0

Zonal Lumen Summary

Zone	Lumens	% Luminaire
0-30	386	38.6%
0-40	602	60.1%
0-60	908	90.7%
0-90	1001	100.0%
90-180	0	0.0%
0-180	1001	100.0%

Cone of Light Tabulation

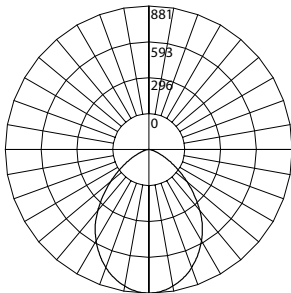


CCT Data Multiplier

CLR6-10-UNV-40K	1.050
-----------------	-------

CLR6 3500L 1500Lm

Input Voltage (VAC): 120-277V  
System Level Power (W): 16.8  
Delivered Lumens: 1756  
System Efficacy (Lm/W): 104.5  
Correlated Color Temp (K): 3420  
Color Rendering Index (CRI): 85  
Beam Angle: 86.3°  
Spacing Criteria: 1.11



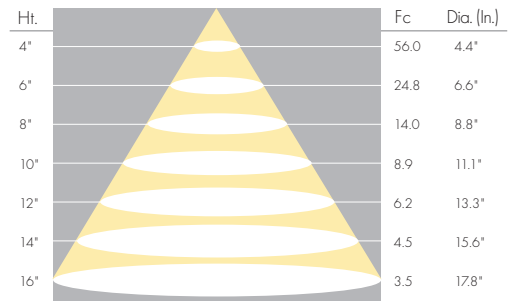
Intensity Summary  
(Candle Power)

Angle	Mean CP
0	881
5	872
15	810
25	712
35	572
45	393
55	225
65	102
75	37
85	11
90	0

Zonal Lumen Summary

Zone	Lumens	% Luminaire
0-30	678	38.6%
0-40	1055	60.1%
0-60	1593	90.7%
0-90	1756	100.0%
90-180	0	0.0%
0-180	1756	100.0%

Cone of Light Tabulation



CCT Data Multiplier

CLR6-1015-UNV-40K	1.052
-------------------	-------

Performance Data

Model Number	Lumens	Watts	Lumens/Watt
CLR6-10-UNV-30K	1001	10.0	100.1
CLR6-10-UNV-40K	1051	10.0	105.1
CLR6-1015-UNV-35K	1756	16.8	104.5
CLR6-1015-UNV-30K	1847	16.8	110.0