

The Soft Light Series LED fixture has been developed to dramatically improve energy efficiency and quality of lighting using Solid State Lighting (SSL) technologies. The Soft Light Series LED Fixtures provide an attractive, energy efficient architectural look which has been specifically designed to upgrade existing fluorescent medium profile wrap fixtures. Comfortable, low glare, uniform lighting is attributed to this style of retrofit. Typical applications for this type of product are interior spaces where finished ceilings and walls exist. Applications Include:

- Office Buildings
- Industrial Facilities
- Commercial/Retail Spaces
- Schools & Universities
- Hospitals/Healthcare Facilities
- Government Facilities
- Military Bases

Prefix: SFT



project:

fixture type:

catalog #:

quantity:

ORDERING GUIDE

PREFIX SERIES	SIZE	OPTICS (DISTRIBUTION)	LUMEN OUTPUT	DRIVER VOLTAGE	DRIVER TYPE	COLOR TEMP.	LENS (DIFFUSER)	HOUSING COLOR/FINISH	FIXTURE OPTIONS
SFT - Soft-Light Series	2 - 24" 3 - 36" 4 - 48" 6 - 72" 8 - 96"	N - Normal C - Custom (Specify)	L015 - 1500 lm L020 - 2000 lm L030 - 3000 lm L040 - 4000 lm L050 - 5000 lm L060 - 6000 lm L070 - 7000 lm L080 - 8000 lm L090 - 9000 lm L100 - 10000 lm L110 - 11000 lm L120 - 12000 lm LC - Custom (Specify)	UNV - Universal Voltage (120v - 277v) (60 Hz) 120 - 120v 277 - 277v 347 - 347v* *Special order only	DM - 0-10v Low Voltage Dimming (10% - 100%) (Standard) DM1 - 0-10v Low Voltage Dimming (1% - 100%) SD - Step Dimming (50% - 100%) LV1 - Line Voltage Dimming (120v) LV2 - Line Voltage Dimming (277v)	C27 - 2700 K* C30 - 3000 K* C35 - 3500 K C40 - 4000 K C50 - 5000 K* *Special Order Only	AF - Acrylic Frosted Linear Prism (Standard)	GW - Gloss White (Standard) TW - Fine Textured White Powder Coat CS - Custom (Specify)	QP1 - Quick Plug Wire Harness 12 Ga. 20amp Single Circuit VC - "V"-Cables RM - Row Mount Hardware & End Cap Alignment Holes Provided (1/4" K.O Type) AP - Adjustable Pendant Detail (Sliding Plate) (18 Ga. Steel) SNS200 - Wireless Sensor <ul style="list-style-type: none"> • Occupancy • Vacancy • Daylight Harvesting • Task Tuning • Advanced Grouping (Philips EasySense)

PRIOR TO REPLACING AN EXISTING FLUORESCENT FIXTURE, PLEASE NOTE THE FOLLOWING:



Fluorescent lamps contain small amounts of mercury. Such lamps are labeled "Contains Mercury" and / or with the symbol "Hg." Lamps that contain mercury must be disposed of in accordance with local requirements. Information regarding lamp recycling and disposal can be found at www.lamprecycle.org.

** SFT Series Luminaires have a lumen output range from 1500 Lumens through 12,000 Lumens depending on length of fixture and driver/board configuration. Consult factory for correct catalog number on all custom configured lighting products.

Design Features / Specifications

CONSTRUCTION

- Precision die-formed from 22 gage cold rolled steel.
- Mechanically fastened / resistance welded.
- Consult factory for all options or any modifications needed.

REFLECTOR

- Reflectors are precision formed from code-guage cold rolled steel. Finish is high reflectance matte white power coat baked enamel. (97% T.R.)
- Reflectors are tethered to housing for ease of driver accessibility and maintenance.
- Reflectors are secured into housing with captive, quarter-turn wing nuts for ease of maintenance.

FINISH

- All housings and components manufactured from cold rolled steel receive a multi-stage iron phosphate pre-treatment prior to finishing.
- Gloss White polyester powder coat baked enamel for extreme durability and architectural aesthetics (Standard).
- Custom colors and finishes are available as an option (including color-matching)

LEDs / OPTICS:

- High performance LED boards manufacture specifically for interior lighting. LED boards feature the latest mid-power LEDs for maximum performance, efficiency and longevity.
- Standard color temperatures offered are 3500K and 4000K. Consult factory for all other color temperature options. 80 CRI (Minimum). RoHS Compliant.
- Always consult factor for the latest developments and improvements concerning LEDs and Optics.

DRIVERS:

- Electronic, constant current type. Universal voltage (120v-277v) is standard.
- 0-10v Low Voltage, dimmable. 10%-100% (Standard). 0%-100% (Optional).
- Step-Dim and Line Voltage Drivers (Specify Voltage) are optional.
- Suitable for dry and damp locations. UL recognized Class 2, RoHS Compliant

LENS/DIFFUSER:

- Custom extruded from special blend of 100% virgin acrylic & high light transmission/LED diffusing polymer.
- Linear ribbed pattern, which provides a clean, aesthetic architectural look.
- 30% DR additive used to increase resistance to breakage. (Optional)

ELECTRICAL:

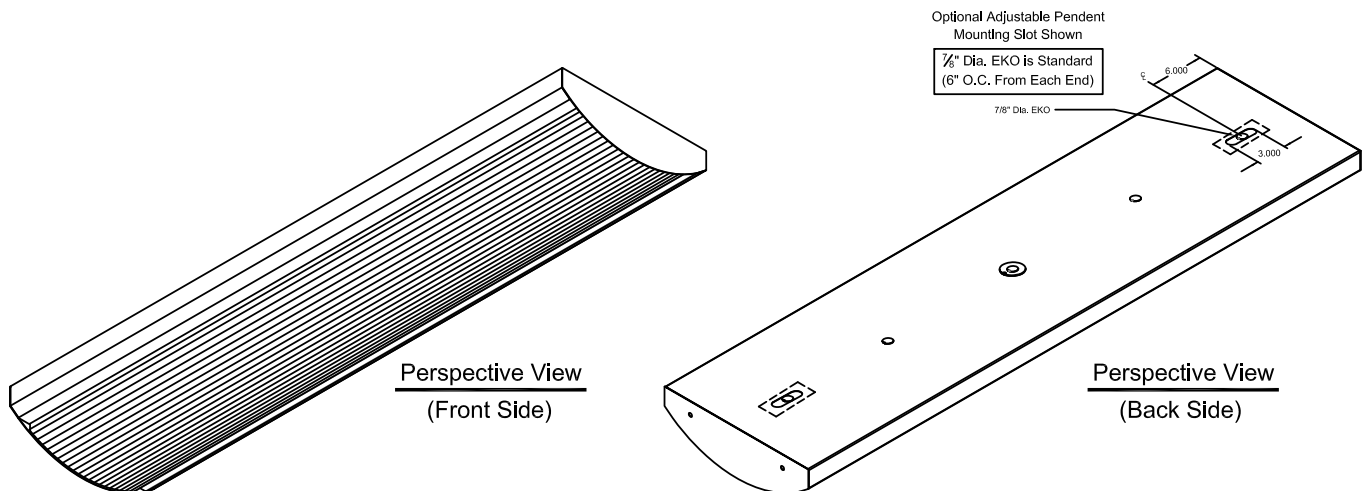
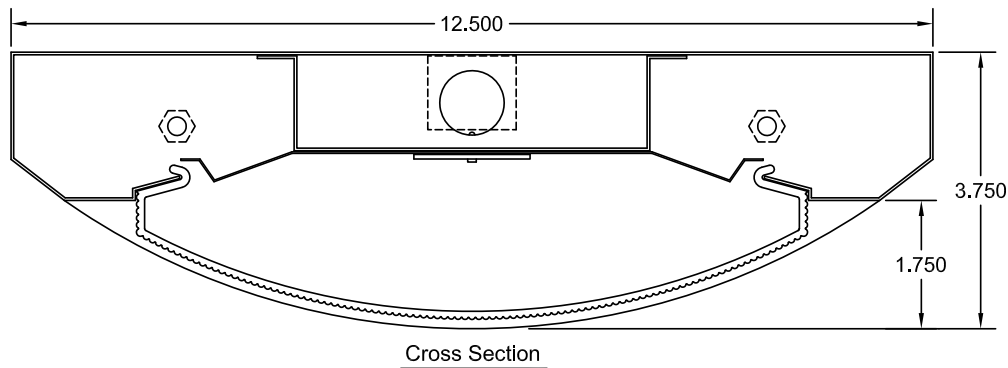
- Surface/Suspended fixtures are UL/CUL listed and labeled
- LM80 Performance for 50,000+ hours.
- Bi-Level dimming options allows 50% power reduction for compliance with common energy codes.
- Driver disconnect provided where required to comply with US and Canadian codes

QUALITY CONTROL:

- All fixtures are designed, fabricated, assembled, tested, packaged and shipped from RENOVA's manufacturing facility in Warwick, RI. (USA)

WARRANTY:

- 5-year limited warranty. Please refer to RENOVA's website at www.renova.com/sales/warranties for the latest warranty terms and conditions.



NOTES:

LED Dimming Drivers have adjustable output capability. A wide range of input watts/lumen output can be adjusted up or down on all models to suit a particular application. Always consult factory for the latest information.

Photometric data, IES files and all other information is available on request.

RENOVA products are constantly being improved; therefore the information shown is subject to change without notice. Always consult your lighting representative or RENOVA Lighting Systems, Inc. for the latest information.