

Project Name	Fixture Type	Catalog #	Quantity



NYC Approved Emergency Steel Unit

Catalog # Description

Complete Units

Ordering Information

Example: PRLEDNYDXR-42

PRLEDNYDXR	Model:	PRLEDNYDXR = Emergency Steel Unit
	Remote Watt Capacity:	4 = 3 Watt ¹ 8 = 7.5 or 9 Watts ²
	# of Heads:	2 = 2 Heads 3 = 3 Heads
Notes:	1. 3W = 2 Head Unit Option Only 2. 7.5W = 2 Head Unit Option Only 9W = 3 Head Unit Option Only	

Design Features / Specifications

ILLUMINATION

- Fully adjustable emergency lighting heads

ELECTRICAL

- Dual 120/277 voltage.
- Charge rate/power "ON" LED indicator light and push-to-test switch for mandated code compliance testing.
- LVD (low voltage disconnect) prevents battery from deep discharge.
- 6V maintenance-free, rechargeable sealed lead acid battery.
- Internal solid-state transfer switch automatically connects the internal battery to LED board for minimum 90-minute emergency illumination.
- Fully automatic solid-state, two-rate charger initiates battery charging to recharge a discharged battery in 24 hours.

MOUNTING

- Knockouts on the back for wall mount.
- Top and side knockouts provided for conduit feed applications.

HOUSING

- Durable, powder-coated 20-gauge steel construction
- Injection-molded, engineering grade, high impact, thermoplastic heads.

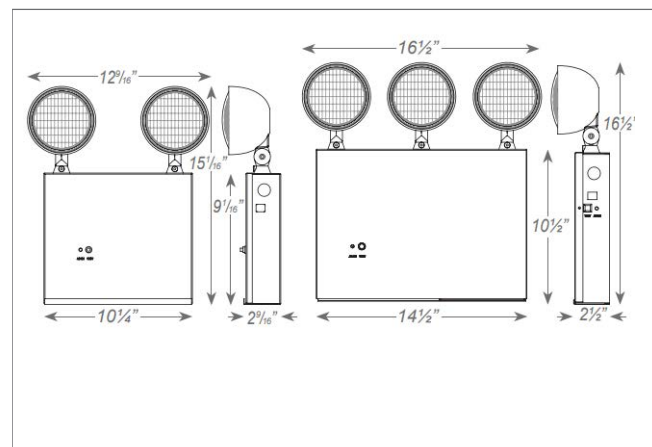
WARRANTY / LISTING

- Five year warranty on all electronics and housing. Battery pro rated for two years.
- Meets UL924, NFPA 101 Life Safety Code, NEC, OSHA, Local and State
- Codes. UL Listed for dry locations (25°C).

Electrical Information

CATALOG NUMBER	INPUT WATTS (W)		INPUT AMPS (A)	
	120v	277v	120v	277v
PRLEDNYDXR-42	7.0	8.0	0.065	0.030

Dimensional Information



Note: RENOVA products are constantly being improved; therefore, the information shown is subject to change without notice. Always consult your lighting representative or RENOVA Lighting Systems, Inc. for the latest information.