

Vapor Tight Luminaire

Prefix: WVT

The Vapor Tight (WVT) Series has been developed for all dust, damp/wet, vapor proof, cold weather and outdoor applications. Fixture can be surface (wall or ceiling), pendant, chain or cable mounted. This series utilizes LED technology for optimal fixture efficiency, reduction of energy consumption and improved quality of light. It also provides instant-on operation and offers many other energy saving options.



project:

fixture type:

catalog #:

quantity:

ORDERING GUIDE

PREFIX/SERIES	SIZE	OPTICS (DISTRIBUTION)	LUMEN OUTPUT*	DRIVER VOLTAGE	DRIVER TYPE	CCT Selectable COLOR TEMP.	LENS (DIFFUSER)	HOUSING COLOR / FINISH	FIXTURE OPTIONS
VT - Vapor Tight	4 - 4'	N - Normal	L060 6000 L140 14000 L220 22000	UNV - Universal Voltage (120v - 277v) (60 Hz) (Standard) 120 - 120v, 60Hz 277 - 277v, 60Hz	DM - 0-10v Low Voltage Dimming (10% - 100%) (Standard)	LRF5 - 3500K/4000K/5000K	NA - Not applicable	PL - Polycarbonate (grey)	OS - Occupancy Sensor EM - Emergency Battery Pack

*L(x) = Delivered Lumens
Example: L220=22,000 Lumens

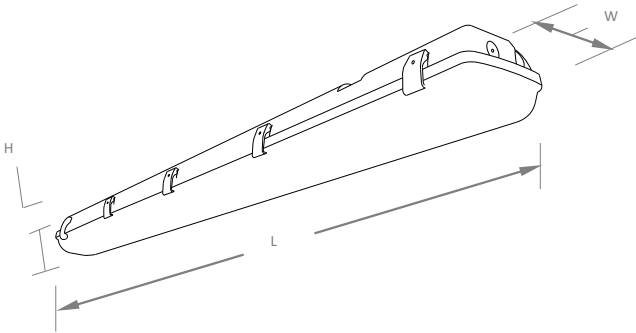
PRIOR TO REPLACING AN EXISTING FLUORESCENT FIXTURE, PLEASE NOTE THE FOLLOWING:



Fluorescent lamps contain small amounts of mercury. Such lamps are labeled "Contains Mercury" and / or with the symbol "Hg." Lamps that contain mercury must be disposed of in accordance with local requirements. Information regarding lamp recycling and disposal can be found at www.lamprecycle.org.

Fixture Dimensions

Prefix: WVT



Model	Length (L)	Width (W)	Height (H)	Weight
WVT-6L-KFS	45.7"	4.7"	4.3"	4 lbs.
WVT-14L-KFS	50"	10"	4.1"	13 lbs.
WVT-22L-KFS	50"	10"	4.1"	14 lbs.

- Field selectable color temperatures include 3500k, 4000k and 5000k.
- Long-life LEDs provide 137,000 hours of operation with at least 70% of initial lumen output (L_{70}), and 42,000 hours with at least 90% of initial lumen output (L_{90}).
- LED chromaticity based on < 5-step ANSI quadrangles.
- LED color maintenance ≤ 0.002 chromaticity shift ($\Delta u'v'$) over the initial 6,000 hours of operation.
- Provides 6,000, 14,000, or 22,000 nominal lumens using 42, 100, or 150 nominal watts.
- Universal 120-277 AC voltage (50-60Hz) is standard.
- 0-10vdc dimming drivers are standard.
- Power factor > 0.90.
- Total harmonic distortion < 20%.
- Color rendering index > 80.
- Polycarbonate housing and frosted lenses are standard.
- Easy installation in new construction or retrofit.
- cETLus listed for damp locations in ambient temperatures from 20°C to 50°C (-4°F to 122°F).
- WVT-6L = DLC standard.
- WVT-14L & VT-22L = DLC premium.
- IP67 rated for ingress protection.
- IK10 rated for impact.
- ETL sanitation listed for non-splash food zone to comply with NSF/ANSI 2 standard.
- NEMA 4X.
- Complies with FCC Part 15, class A.
- Complies with IEC/EN61000-4-5, input transient protection (1.0kV).
- Surge protection = 1.0kV.
- 5-year warranty of all electronics and housing.

NOTES:

LED Dimming Drivers have adjustable output capability. A wide range of input watts/lumen output can be adjusted up or down on all models to suit a particular application. Always consult factory for the latest information.

Photometric data, IES files and all other information is available on request.

RENOVA products are constantly being improved; therefore the information shown is subject to change without notice. Always consult your lighting representative or RENOVA Lighting Systems, Inc. for the latest information.