

## Ovation Series Recessed

Prefix: **RVN24**

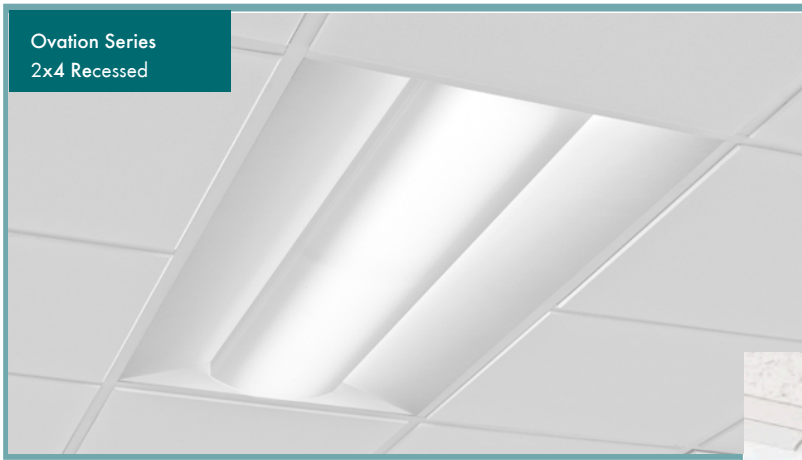
The Ovation Series LED Recessed Fixture family has been developed to dramatically improve energy efficiency and quality of light using Solid State Lighting (SSL) technologies. The Ovation Series LED Recessed Fixtures provide an attractive, energy efficient architectural look which has been specifically designed to replace existing fluorescent lighting or for use in new construction. Comfortable, low glare, uniform lighting is attributed to this style of fixture. Typical applications for this type of product are interior spaces where finished ceilings and walls exist. Applications include:

- Commercial/Corporate Office Spaces
- Retail Spaces, Public Spaces and Airports
- Schools, Colleges and Universities
- Hospitals, Government Facilities and Military Bases



DLC Application Category #7  
 "2x4 Luminaires for Ambient Lighting of Interior Commercial Spaces"

DesignLights Consortium® (DLC) qualified product. Not all versions of this product may be DLC qualified. Please check the DLC Qualified Products List at [www.designlights.org](http://www.designlights.org) to confirm which versions are qualified



Optional Wireless Sensor Shown Installed

project:

fixture type:

catalog #:

quantity:

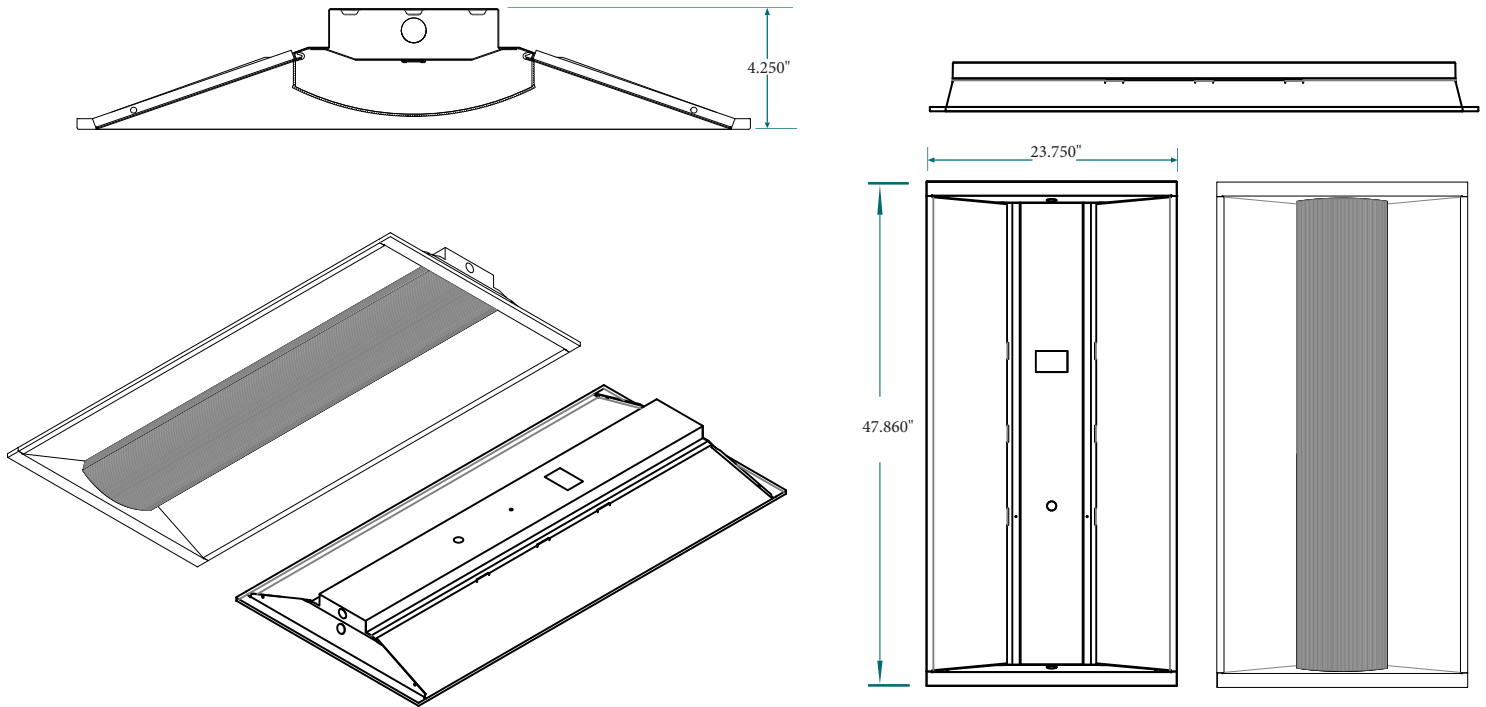
### ORDERING GUIDE

<b>RVN</b>	<b>24</b>	<b>N</b>							
PREFIX/SERIES	SIZE	OPTICS (DISTRIBUTION)	LUMEN OUTPUT*	DRIVER VOLTAGE	DRIVER TYPE	COLOR TEMP.	CRI	LENS (DIFFUSER)	FIXTURE OPTIONS
RVN - Ovation Series Recessed	24-2x4	N - Normal	<b>L015</b> - 1500 <b>L020</b> - 2000 <b>L030</b> - 3000 <b>L040</b> - 4000 <b>L050</b> - 5000 <b>L060</b> - 6000 <b>L070</b> - 7000 <b>L080</b> - 8000 <b>L090</b> - 9000 <b>L100</b> - 10000 <b>L110</b> - 11000 <b>L120</b> - 12000  <b>Lxxx</b> - Custom (Specify)	<b>UNV</b> - Universal Voltage (120v - 277v) (50/60 Hz)	<b>DM</b> - 0-10v Low Voltage Dimming (10% - 100%) (Standard) <b>DM1</b> - 0-10v Low Voltage* Dimming (1% - 100%) <b>LH1</b> - Lutron Hi-Lume* Dimming (1% - 100%) <b>LV</b> - Line Voltage* Dimming (120V only) <b>DA1</b> - Dali-2 and D4i cert* Dimming (1% - 100%)  *Special Order Only	<b>C27</b> - 2700 K* <b>C30</b> - 3000 K* <b>C35</b> - 3500 K <b>C40</b> - 4000 K <b>C50</b> - 5000 K*  *Special Order Only	<b>Blank</b> -80 CRI <b>9-90 CRI</b> * <b>5-Sunlike</b> 95 CRI*  *Special Order Only	<b>AF</b> - Frosted Linear Prism Acrylic Lens (Standard)	<b>AR</b> - Air Return Slots <b>SNS21x - Philips</b> Wireless Sensor (EasySense)††† <b>SVP</b> -Silvair PIR Wireless Sensor††† <b>SVM</b> -Silvair Microwave Sensor†††† <b>LAR</b> - Lutron Athena Wireless control RF Only††††† <b>LAP</b> -Lutron Athena Wireless PIR Sensor††† <b>LVR</b> - Lutron Vive Wireless control RF Only††††† <b>LVP</b> - Lutron Vive Wireless PIR Sensor††† <b>WLJ</b> -Wave Linx Integral PIR Sensor††† <b>Axx</b> - Auxiliary output 12 or 24V <b>EM</b> - Emergency Battery Pack †

† Standard "EM" option to be NiCd Battery @ 5 Watts constant power @ 90 min. duration (standard). Consult factory for all available options.  
 † † † PIR sensors provide: Occupancy/Vacancy, Daylight Harvesting, Task Tuning & Advanced Grouping control options. (max 12 ft mounting height, highbay options available upon request)  
 † † † † Microwave sensor provides: Occupancy/Vacancy, Task Tuning, Energy Monitoring & Advanced Grouping control options. (Sensor not visible from exterior of fixture, max 12 ft mounting height)  
 † † † † † RF sensors provide: Wireless fixture control only. (Wireless controls must be located within 60 ft (18 m) from each other in the line of sight, or 30 ft(9 m) through walls)

**RVN 2x4 Cross Section**

**Prefix: RVN24**



**CONSTRUCTION**

- Precision die-formed from 22 gauge cold rolled steel. (Other gauges available upon request)
- Mechanically fastened / resistance welded.
- Consult factory for all options or any modifications needed.

**FINISH**

- High Reflectance Matte White polyester powder coat baked enamel for extreme durability and superior fixture efficiency. Total Reflectance = 97%.

**LED'S/OPTICS**

- High performance LED boards manufactured specifically for interior lighting. LED boards feature the most current LEDs for maximum performance, efficiency and longevity.
- Standard color temperatures offered are 3500K and 4000K. Consult factory for all other color temperature options. 80 CRI (Minimum) standard, 90 CRI and Sunlike 95 CRI Options available.
- RoHS Compliant.
- Always consult factory for the latest developments and improvements concerning LEDs and Optics.

**DRIVERS**

- Electronic, constant current type. Universal voltage (120v-277v) .
- 0-10v dimmable. 10-100% (Standard) 1-100% (Optional).
- Line Voltage Dimming Drivers are optional.
- Auxiliary output (Optional) used to power various sensors / wireless modules. (12 or 24Vdc options specify when ordering)
- Suitable for dry and damp locations.
- UL Recognized Class P, RoHS Compliant.

**LENS (DIFFUSER)**

- Extruded from 100% clear, virgin acrylic.
- Extruded linear ribs provide clean, aesthetic architectural look.

**MOUNTING**

- Recessed fixtures are designed to be mounted into a standard NEMA "G" T-grid ceiling. Consult factory for all other special mounting conditions.

**ELECTRICAL**

- Recessed fixtures are UL/CUL Listed and labeled for dry / damp locations.
- LM80 performance for 50,000+ hours
- Bi-level dimming option allows 50% power for compliance with common energy codes.
- Driver disconnect provided where required to comply with US & Canadian codes.

**QUALITY CONTROL**

- All fixtures are designed, fabricated, assembled, tested, packaged and shipped from RENOVA's manufacturing facility in Warwick, RI (USA).

**WARRANTY**

- 5-Year limited warranty. Please refer to RENOVA's website at [www.renova.com/sales/warranties](http://www.renova.com/sales/warranties) for the latest warranty terms and conditions.

**NOTES:**

LED Dimming Drivers have adjustable output capability. A wide range of input watts/lumen output can be adjusted up or down on all models to suit a particular application. Always consult factory for the latest information.

Photometric data, IES files and all other information is available on request.

RENOVA products are constantly being improved; therefore the information shown is subject to change without notice. Always consult your lighting representative or RENOVA Lighting Systems, Inc. for the latest information.





**RVN Series LED Luminaires Listed on the DLC Qualified Products List (QPL)**

RENOVA Catalog Number	Delivered Lumens	Input Watts	Lumens per Watt	DLC - QPL Classification
[R,S]VN24-N-[L015 to L070]-UNV-DM-C35-AF-SNS[2,3]00-[BLANK, EM, AR]	1500-7004	Varies by Output	144.53	Standard
[R,S]VN24-N-[L015 to L070]-UNV-DM-C35-AF-SNS[2,3]00-[BLANK, EM, AR]	1500-7004	Varies by Output	142.59	Standard
RVN24-N-L030-UNV-DM-C35-AF-xx	2886	22.19	130.10	Standard
RVN24-N-L030-UNV-DM-C40-AF-xx	2966	22.19	133.67	Standard
RVN24-N-L040-UNV-DM-C35-AF-xx	3799	29.24	129.92	Standard
RVN24-N-L040-UNV-DM-C35-AF-xx	3771	29.20	129.14	Standard
RVN24-N-L050-UNV-DM-C35-AF-xx	5586	41.09	135.95	Standard
RVN24-N-L050-UNV-DM-C40-AF-xx	5741	41.09	139.72	Standard
RVN24-N-L060-UNV-DM-C35-AF-xx	5808	48.49	119.78	Standard
RVN24-N-L060-UNV-DM-C40-AF-xx	5969	48.49	123.10	Standard
RVN24-N-L070-UNV-DM-C35-AF-xx	6492	55.86	116.22	Standard
RVN24-N-L070-UNV-DM-C40-AF-xx	6672	55.86	119.45	Standard
RVN24-N-L080-UNV-DM-C35-AF-xx	7391	65.38	113.05	Standard
RVN24-N-L080-UNV-DM-C40-AF-xx	7596	65.38	116.19	Standard
RVN24-N-L090-UNV-DM-C35-AF-xx	8729	68.55	127.34	Standard
RVN24-N-L090-UNV-DM-C40-AF-xx	8971	68.55	130.87	Standard