



Series: Bentley LED Wall Pack (BWP) Fixture Type: Traditional LED Wall Pack

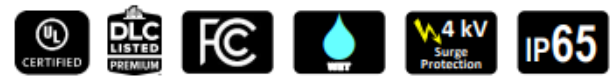
| Project Name | Fixture Type | Catalog # | Quantity |
|----------------------|----------------------|----------------------|----------------------|
| <input type="text"/> | <input type="text"/> | <input type="text"/> | <input type="text"/> |



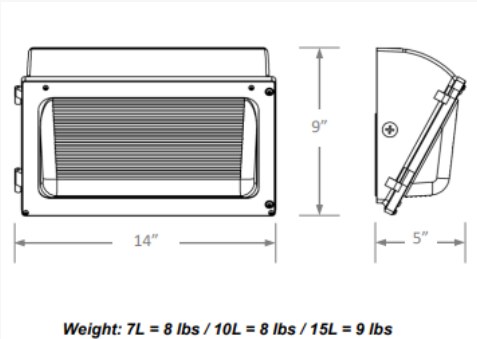
Design Features / Specifications

- Field selectable 3000k (warm white), 4000k (neutral white), and 5000k (cool white) color temperatures.
- Long-life LEDs provide at least 70% of initial lumen output (L70) for > 130,000 hours of operation, and at least 90% of initial lumen output (L90) for > 39,000 hours of operation.
- LED chromaticity based on < 5-step ANSI quadrangles.
- LED color maintenance < 0.003 chromaticity shift ($\Delta u'v'$) over the initial 6,000 hours of operation.
- Provides a range of 4,300 to 15,500 nominal lumens and 124 to 159 nominal lumens per watt (lm/W).
- 0-10vdc dimming drivers are standard.
- Universal 120-277 AC voltage (50-60Hz) is standard.
- Power factor > 0.90.
- Total harmonic distortion < 20%.
- Color rendering index (Ra) > 70.
- Cast aluminum housing with dark bronze, powder coat finish.
- Glass lens.
- Three 1/2" NPT threaded openings.
- Easy installation in new construction or retrofit applications.

| Bentley Wall Pack | |
|-----------------------------|--|
| Catalog # | Description |
| Complete Units | |
| Ordering Information | |
| Example: BWP-7L-LF S-B | |
| BWP | Fixture Series: BWP= Bentley LED Wall Pack |
| | Lumen Output 7L = 7000lms 10L = 10000lms 15L = 15000lms |
| LFKS | Field Selectable Color Temp. 3000K 4000K 5000K |
| | Options B = Button photocell P = Pencil photocell Blank = No photocell |



Dimensional Information



Note: RENOVA products are constantly being improved; therefore, the information shown is subject to change without notice. Always consult your lighting representative or RENOVA Lighting Systems, Inc. for the latest information.



Series:
Bentley LED Wall Pack (BWP)

Fixture Type:
Traditional LED Wall Pack

| | | | |
|----------------------|----------------------|----------------------|----------------------|
| Project Name | Fixture Type | Catalog # | Quantity |
| <input type="text"/> | <input type="text"/> | <input type="text"/> | <input type="text"/> |

Photometric Data

WPT-7L-LKFS

Luminaire Data

| | |
|-----------------------------|---------------------------------------|
| Description | Traditional Wall Pack 7L 5K - LKFS |
| Total Lumens | 6,907 |
| Input Wattage | 51 |
| Efficacy (lm/W) | 136 |
| Max. Cd. | 4252.51 (360H, 39V) |
| IES Classification | Type III |
| Longitudinal Classification | Very Short |

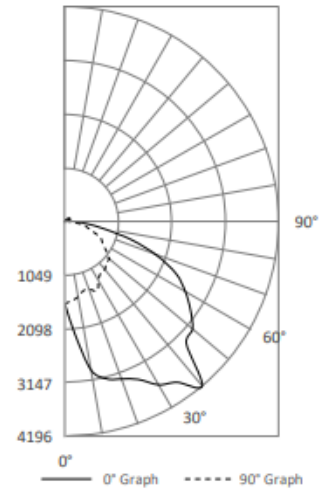
Zonal Lumen Summary

| Zone | Lumens | %Fixt |
|----------|--------|--------|
| 0-30° | 1,520 | 22.0% |
| 0-60° | 4,905 | 71.0% |
| 0-80° | 6,506 | 94.2% |
| 80-90° | 223 | 3.3%* |
| 0-90° | 6,729 | 97.4% |
| 90-110° | 84 | 1.2% |
| 110-180° | 0 | 0.0% |
| 0-180° | 6,907 | 100.0% |

Luminaire Classification Systems (LCS)

| LCS Zone | Lumens | %Lum |
|--------------|--------------|--------------|
| FL 0-30 | 1,116 | 16.2% |
| FM 30-60 | 3,026 | 43.8% |
| FH 60-80 | 1,483 | 21.5% |
| FVH 80-90 | 207 | 3.0% |
| BL 0-30 | 404 | 5.8% |
| BM 30-60 | 360 | 5.2% |
| BH 60-80 | 118 | 1.7% |
| BVH 80-90 | 16 | 0.2% |
| UL 90-100 | 58 | 0.8% |
| UH 100-180 | 121 | 1.7% |
| Total | 6,907 | 99.9% |
| BUG Rating | B1-U3-G2 | |

180° Polar Graph



* 80-90° glare zone is calculated by dividing the lumens in that zone by the lumen total in the 0-90° zone

WPT-10L-LKFS

Luminaire Data

| | |
|-----------------------------|--|
| Description | Traditional Wall Pack 10L 5K - LKFS |
| Total Lumens | 10,049 |
| Input Wattage | 76 |
| Efficacy (lm/W) | 133 |
| Max. Cd. | 6153.58 (360H, 39V) |
| IES Classification | Type III |
| Longitudinal Classification | Very Short |

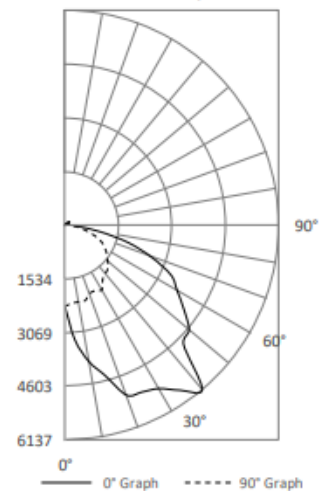
Zonal Lumen Summary

| Zone | Lumens | %Fixt |
|----------|--------|--------|
| 0-30° | 2,213 | 22.0% |
| 0-60° | 7,248 | 72.1% |
| 0-80° | 9,550 | 95.0% |
| 80-90° | 277 | 2.8%* |
| 0-90° | 9,827 | 97.8% |
| 90-110° | 105 | 1.0% |
| 110-180° | 0 | 0.0% |
| 0-180° | 10,049 | 100.0% |

Luminaire Classification Systems (LCS)

| LCS Zone | Lumens | %Lum |
|--------------|---------------|--------------|
| FL 0-30 | 1,627 | 16.1% |
| FM 30-60 | 4,525 | 44.8% |
| FH 60-80 | 2,132 | 21.1% |
| FVH 80-90 | 257 | 2.6% |
| BL 0-30 | 586 | 5.8% |
| BM 30-60 | 510 | 5.1% |
| BH 60-80 | 169 | 1.7% |
| BVH 80-90 | 20 | 0.2% |
| UL 90-100 | 71 | 0.7% |
| UH 100-180 | 152 | 1.5% |
| Total | 10,049 | 99.6% |
| BUG Rating | B2-U3-G3 | |

180° Polar Graph



* 80-90° glare zone is calculated by dividing the lumens in that zone by the lumen total in the 0-90° zone

Note: RENOVA products are constantly being improved; therefore, the information shown is subject to change without notice. Always consult your lighting representative or RENOVA Lighting Systems, Inc. for the latest information.



Series:
Bentley LED Wall Pack (BWP)

Fixture Type:
Traditional LED Wall Pack

| | | | |
|----------------------|----------------------|----------------------|----------------------|
| Project Name | Fixture Type | Catalog # | Quantity |
| <input type="text"/> | <input type="text"/> | <input type="text"/> | <input type="text"/> |

Photometric Data

WPT-15L-LKFS

Luminaire Data

| | |
|-----------------------------|--|
| Description | Traditional Wall Pack 15L 5K - LKFS |
| Total Lumens | 14,843 |
| Input Wattage | 115 |
| Efficacy (lm/W) | 129 |
| Max. Cd. | 8926.98 (360H, 37V) |
| IES Classification | Type III |
| Longitudinal Classification | Very Short |

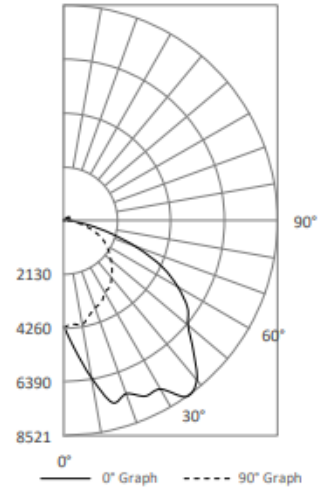
Zonal Lumen Summary

| Zone | Lumens | %Fixt |
|----------|--------|--------|
| 0-30° | 3,610 | 24.3% |
| 0-60° | 11,112 | 74.9% |
| 0-80° | 14,174 | 95.5% |
| 80-90° | 334 | 2.3%* |
| 0-90° | 14,508 | 97.7% |
| 90-110° | 149 | 1.0% |
| 110-180° | 0 | 0.0% |
| 0-180° | 14,843 | 100.0% |

Luminaire Classification Systems (LCS)

| LCS Zone | Lumens | %Lum |
|--------------|---------------|--------------|
| FL 0-30 | 2,592 | 17.4% |
| FM 30-60 | 6,625 | 44.5% |
| FH 60-80 | 2,801 | 18.8% |
| FVH 80-90 | 301 | 2.0% |
| BL 0-30 | 1,018 | 6.9% |
| BM 30-60 | 877 | 5.9% |
| BH 60-80 | 261 | 1.8% |
| BVH 80-90 | 33 | 0.2% |
| UL 90-100 | 96 | 0.6% |
| UH 100-180 | 239 | 1.6% |
| Total | 14,843 | 99.7% |
| BUG Rating | B3-U3-G3 | |

180° Polar Graph



* 80-90° glare zone is calculated by dividing the lumens in that zone by the lumen total in the 0-90° zone

Electrical Data

| Series | Measurements | Low Lumens | | | Mid Lumens | | | High Lumens | | |
|-------------|-------------------|--|--|--|--|--|--|--|--|--|
| | | 3000K | 4000K | 5000K | 3000K | 4000K | 5000K | 3000K | 4000K | 5000K |
| WPT-7L-LKFS | Lumens | 4312 | 4688 | 4481 | 5415 | 5853 | 5618 | 6657 | 7290 | 6907 |
| | Watts | 30 | 29 | 30 | 39 | 38 | 39 | 51 | 49 | 51 |
| | Efficacy | 144 | 151 | 150 | 138 | 150 | 143 | 131 | 149 | 135 |
| | Input Current (A) | 120V = 0.25A 240V = 0.13A 277V = 0.11A | 120V = 0.24A 240V = 0.12A 277V = 0.10A | 120V = 0.25A 240V = 0.13A 277V = 0.11A | 120V = 0.33A 240V = 0.16A 277V = 0.14A | 120V = 0.32A 240V = 0.16A 277V = 0.14A | 120V = 0.33A 240V = 0.16A 277V = 0.14A | 120V = 0.43A 240V = 0.21A 277V = 0.18A | 120V = 0.41A 240V = 0.20A 277V = 0.18A | 120V = 0.43A 240V = 0.21A 277V = 0.18A |

Note: RENOVA products are constantly being improved; therefore, the information shown is subject to change without notice. Always consult your lighting representative or RENOVA Lighting Systems, Inc. for the latest information.



Series: Bentley LED Wall Pack (BWP) Fixture Type: Traditional LED Wall Pack

Project Name: Fixture Type: Catalog #: Quantity:

Electrical Data

| Series | Measurements | Low Lumens | | | Mid Lumens | | | High Lumens | | |
|--------------|-------------------|--------------|--------------|--------------|--------------|--------------|--------------|--------------|--------------|--------------|
| | | 3000K | 4000K | 5000K | 3000K | 4000K | 5000K | 3000K | 4000K | 5000K |
| WPT-10L-LKFS | Lumens | 6141 | 6741 | 6380 | 7983 | 8785 | 8260 | 9768 | 10,652 | 10,049 |
| | Watts | 43 | 42 | 43 | 59 | 57 | 59 | 76 | 74 | 76 |
| | Efficacy | 142 | 159 | 147 | 135 | 154 | 140 | 129 | 144 | 133 |
| | Input Current (A) | 120V = 0.36A | 120V = 0.35A | 120V = 0.36A | 120V = 0.49A | 120V = 0.48A | 120V = 0.49A | 120V = 0.63A | 120V = 0.62A | 120V = 0.63A |
| 240V = 0.18A | | 240V = 0.18A | 240V = 0.18A | 240V = 0.25A | 240V = 0.24A | 240V = 0.25A | 240V = 0.32A | 240V = 0.31A | 240V = 0.32A | |
| 277V = 0.16A | | 277V = 0.15A | 277V = 0.16A | 277V = 0.21A | 277V = 0.21A | 277V = 0.21A | 277V = 0.27A | 277V = 0.27A | 277V = 0.27A | |

| Series | Measurements | Low Lumens | | | Mid Lumens | | | High Lumens | | |
|--------------|-------------------|--------------|--------------|--------------|--------------|--------------|--------------|--------------|--------------|--------------|
| | | 3000K | 4000K | 5000K | 3000K | 4000K | 5000K | 3000K | 4000K | 5000K |
| WPT-15L-LKFS | Lumens | 9929 | 10,548 | 10,280 | 12,305 | 13,506 | 12,703 | 14,216 | 15,552 | 14,843 |
| | Watts | 71 | 69 | 71 | 93 | 91 | 93 | 115 | 110 | 115 |
| | Efficacy | 139 | 153 | 144 | 132 | 149 | 137 | 124 | 141 | 129 |
| | Input Current (A) | 120V = 0.59A | 120V = 0.58A | 120V = 0.59A | 120V = 0.78A | 120V = 0.76A | 120V = 0.78A | 120V = 0.96A | 120V = 0.92A | 120V = 0.96A |
| 240V = 0.30A | | 240V = 0.29A | 240V = 0.30A | 240V = 0.39A | 240V = 0.38A | 240V = 0.39A | 240V = 0.48A | 240V = 0.46A | 240V = 0.48A | |
| 277V = 0.26A | | 277V = 0.25A | 277V = 0.26A | 277V = 0.34A | 277V = 0.33A | 277V = 0.34A | 277V = 0.42A | 277V = 0.40A | 277V = 0.42A | |

Note: RENOVA products are constantly being improved; therefore, the information shown is subject to change without notice. Always consult your lighting representative or RENOVA Lighting Systems, Inc. for the latest information.