

4" Field Selectable Commercial Recessed LED Downlight

Prefix: CLR4

Designed for both new construction and retrofit applications, the CLR Series is field selectable CCT and lumen output. It can be installed directly into drywall, a ceiling grid or an existing 4" CFL mounting frame with its spring loaded retention tabs and a J-box cable connection. Offering a full range of dimming from 0-10 volts, the base fixture is white or spec white. The versatility of this light source is perfect for commercial applications, such as educational and governmental facilities, retail and grocery lighting, offices or hospitality.



project:

fixture type:

catalog #:

quantity:

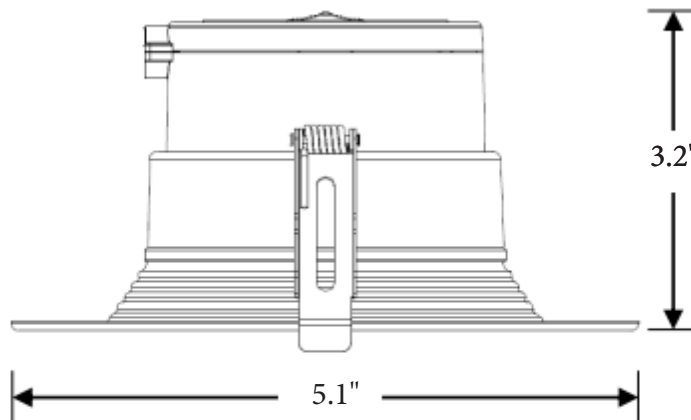
ORDERING GUIDE

<b>CLR4</b>	-		-	<b>UNV</b>	-	<b>DM</b>	-		-	<b>9</b>	-		-	
PREFIX/SERIES	LUMEN OUTPUT	DRIVER VOLTAGE	CRI	COLOR TEMP.	CRI	COLOR	FIXTURE OPTIONS							
<b>CLR4</b> - 4" Commercial Recessed LED Downlight	<b>L005</b> - 500 (6W) <b>L008</b> - 800 (9W) <b>L010</b> - 1000 (12W)	<b>UNV</b> - Universal Voltage (120v - 277v) (50-60 Hz)	<b>DM</b> - 0-10v Low Voltage	<b>C27</b> - 2700 K <b>C30</b> - 3000 K <b>C35</b> - 3500 K <b>C40</b> - 4000 K <b>C50</b> - 5000 K	<b>9</b> - 90 CRI	<b>WH</b> - White <b>SW</b> - Spec White	<b>EXT</b> - Extension Ring for 4" Frame <b>SRB</b> - Philips Wireless Bridge (EasySense) †† <b>SVR</b> - Silvar Wireless Relay †††							

† † Philips wireless bridge provides connectivity with the Philips sensor ready suite (including SNS21x sensor): Energy Monitoring & Advanced Grouping control options.

† † † Silvar wireless relay provides connectivity with the Silvar's Bluetooth NLC solutions (including SVP & SVM sensors): Task Tuning, Energy Monitoring & Advanced Grouping control options.

**DIMENSIONS**



**Weight: 0.7 lbs.**

**CONSTRUCTION**

- Aluminum housing
- Certified for direct contact with insulation  
Consult factory for all options or any modifications needed.

**ELECTRICAL**

- Universal input 120-277VAC (50-60Hz)
- Power factor > 0.90
- Driver delivers full-range dimming from 0 - 10VDC
- cETLus listed for wet locations not exceeding 45°C (113°F).
- Complies with FCC Part 15, class B.
- Complies with EN61000-4-5 surge protection (1.5kV).

**FINISH**

- Matte white baffle or Specular White

**INSTALLATION**

- Easy installation in new construction or retrofit applications.
- Compatible with 4.35" ceiling cut-outs and 4" mounting frames.
- Type IC. Access above ceiling required. Covered ceiling mount only.
- Suitable for wet locations
- Adjustable, spring loaded retention tabs ensure secure fixture retention.
- For installations where power surge may be possible, NICOR recommends installing additional surge protection at the fixture or electrical distribution panel.

**WARRANTY**

- 5-Year limited warranty. Please refer to RENOVA's website at [www.renova.com/](http://www.renova.com/) warranties for the latest warranty terms and conditions.
- Warranty does not cover product failure due to an over-voltage event (power surge)

**NOTES:**

LED Dimming Drivers have adjustable output capability. A wide range of input watts/lumen output can be adjusted up or down on all models to suit a particular application. Always consult factory for the latest information.

Photometric data, IES files and all other information is available on request.

RENOVA products are constantly being improved; therefore the information shown is subject to change without notice. Always consult your lighting representative or RENOVA Lighting Systems, Inc. for the latest information.