

8" Field Selectable Commercial Recessed LED Downlight

Prefix: CLR8



Designed for both new construction and retrofit applications, the CLR Series is field selectable CCT and lumen output. It can be installed directly into drywall, a ceiling grid or an existing 8" CFL mounting frame with its spring loaded retention tabs and a J-box cable connection. Offering a full range of dimming from 0-10 volts, the base fixture is white. The versatility of this light source is perfect for commercial applications, such as educational and governmental facilities, retail and grocery lighting, offices or hospitality.



project:

fixture type:

catalog #:

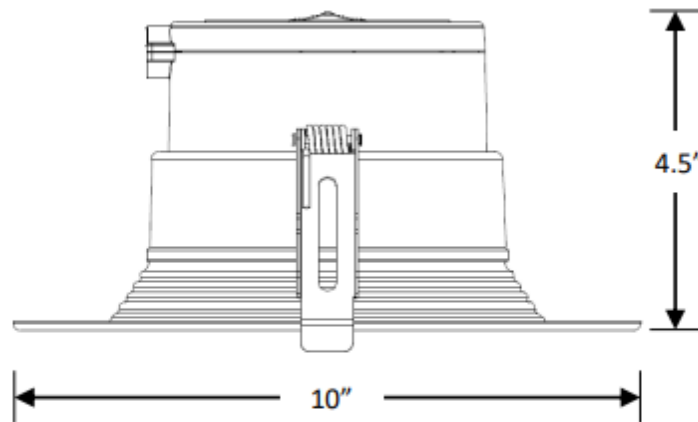
quantity:

ORDERING GUIDE

<b>CLR8</b>	-		-	<b>UNV</b>	-	<b>DM</b>	-		-	<b>9</b>	-	<b>WH</b>	-	
PREFIX/SERIES	LUMEN OUTPUT	DRIVER VOLTAGE	CRI	COLOR TEMP.	CRI	COLOR	FIXTURE OPTIONS							
<b>CLR8</b> - 8" Commercial Recessed LED Downlight	<b>L030</b> 3000 (30W) <b>L040</b> 4000 (40W) <b>L050</b> 5000 (50W)	<b>UNV</b> - Universal Voltage (120v - 277v) (50-60 Hz)	<b>DM</b> - 0-10v Low Voltage	<b>C27</b> - 2700 K <b>C30</b> - 3000 K <b>C35</b> - 3500 K <b>C40</b> - 4000 K <b>C50</b> - 5000 K	<b>9</b> - 90 CRI	<b>WH</b> - White	<b>EXT</b> - Extension Ring for 8" Frame <b>SRB</b> - Philips Wireless Bridge (EasySense) †† <b>SVR</b> - Silvair Wireless Relay †††							

† † Philips wireless bridge provides connectivity with the Philips sensor ready suite (including SNS21x sensor): Energy Monitoring & Advanced Grouping control options.  
† † † Silvair wireless relay provides connectivity with the Silvair's Bluetooth NLC solutions (including SVP & SVM sensors): Task Tuning, Energy Monitoring & Advanced Grouping control options.

**DIMENSIONS**



**Weight: 1.4 lbs.**

**CONSTRUCTION**

- Aluminum housing
- Certified for direct contact with insulation  
Consult factory for all options or any modifications needed.

**ELECTRICAL**

- Universal input 120-277VAC (50-60Hz)
- Power factor > 0.90
- Driver delivers full-range dimming from 0 - 10VDC
- cETLus listed for wet locations not exceeding 45°C (113°F).
- Complies with FCC Part 15, class B.
- Complies with EN61000-4-5 surge protection (1.5kV).

**FINISH**

- Matte white baffle or Specular White

**INSTALLATION**

- Easy installation in new construction or retrofit applications.
- Compatible with 8.10" ceiling cut-outs and 8" mounting frames.
- Type IC. Access above ceiling required. Covered ceiling mount only.
- Suitable for wet locations
- Adjustable, spring loaded retention tabs ensure secure fixture retention.
- For installations where power surge may be possible, NICOR recommends installing additional surge protection at the fixture or electrical distribution panel.

**WARRANTY**

- 5-Year limited warranty. Please refer to RENOVA's website at [www.renova.com/](http://www.renova.com/) warranties for the latest warranty terms and conditions.
- Warranty does not cover product failure due to an over-voltage event (power surge)

**NOTES:**

LED Dimming Drivers have adjustable output capability. A wide range of input watts/lumen output can be adjusted up or down on all models to suit a particular application. Always consult factory for the latest information.

Photometric data, IES files and all other information is available on request.

RENOVA products are constantly being improved; therefore the information shown is subject to change without notice. Always consult your lighting representative or RENOVA Lighting Systems, Inc. for the latest information.