

This Corner Wrap (PCM) Fixture family has been developed to dramatically improve energy efficiency and quality of light using Solid State Lighting (SSL) technologies. This Corner Wrap Series provides an attractive, low profile, energy efficient architectural look which has been specifically designed to replace existing fluorescent lighting or for use in new construction. Comfortable, low glare, uniform lighting is attributed to this style of fixture. Typical applications for this type of product are interior spaces where finished ceilings and walls exist. Applications include:

- Commercial/Corporate Office Spaces
- Schools, Colleges and Universities
- Retail Spaces, Public Spaces and Airports
- Hospitals, Government Facilities and Military Bases



project: _____

fixture type: _____

catalog #: _____

quantity: _____

ORDERING GUIDE

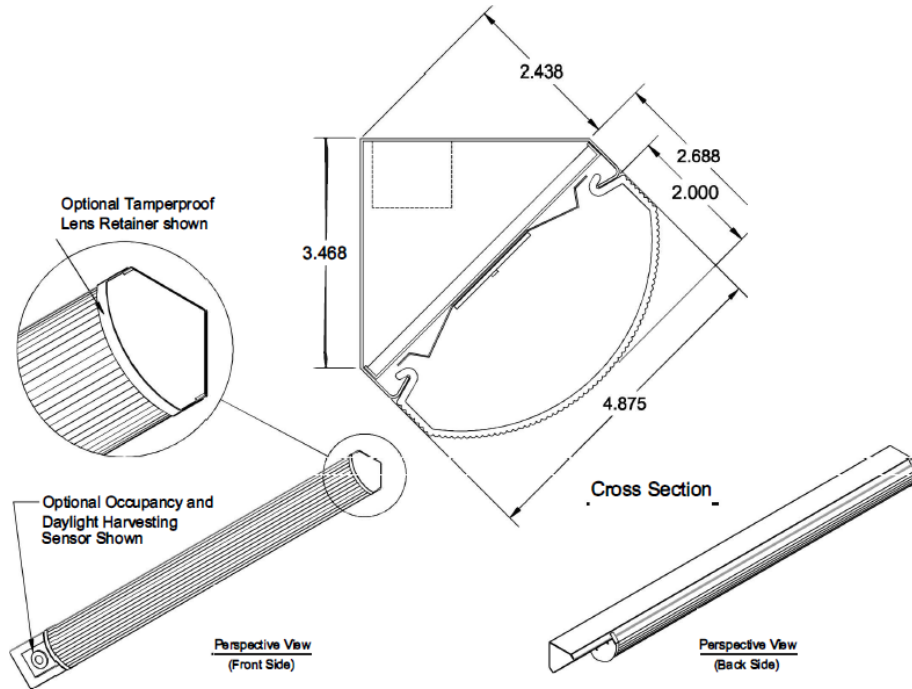
PREFIX/SERIES	SIZE	OPTICS (DISTRIBUTION)	LUMEN OUTPUT	DRIVER VOLTAGE	DRIVER TYPE	COLOR TEMP.	CRI	LENS (DIFFUSER)	HOUSING COLOR/FINISH	ROW CONFIGURATION	FIXTURE OPTIONS
PCM- Corner Wrap Fixture	<ul style="list-style-type: none"> • 2 - 24" • 3 - 36" • 4 - 48" • 6 - 72" • 8 - 96" 	N - Normal	L010 ~1000LMS (10 W) ● L020 ~2000LMS (15 W) ● L030 ~3000LMS (22 W) ●●● L040 ~4000LMS (30 W) ●●●● L050 ~5000LMS (37 W) ●●●●● L060 ~6000LMS (44 W) ●●●●●● L070 ~7000LMS (51 W) ●●●●●●● L080 ~8000LMS (59 W) ●●●●●●●● L090 ~9000LMS (67 W) ●●●●●●●●●	UNV - Universal Voltage (120v - 277v) (60 Hz) 120 - 120v* 277 - 277v* 347 - 347v* *Special order only	DM - 0-10v Low Voltage (Standard) DM1 - 0-10v Low Voltage* Dimming (1% - 100%) LH1 - Lutron Hi-Lume* Dimming (1% - 100%) LV - Line Voltage* Dimming (120V only) DA1 - Dali-2 and D4i cert* Dimming (1% - 100%) *Special Order Only	C27 - 2700 K* C30 - 3000 K* C35 - 3500 K C40 - 4000 K C50 - 5000 K* *Special Order Only	Blank - 80 CRI 9 - 90 CRI* S - Sunlike 95 CRI* *Special Order Only	AF - Acrylic Frosted Ribbed	GW - gloss White Coat (Standard) TW - Fine Textured White Powder Coat CS - Custom (Specify)	IND - Individual SND - Start of Row END - End of Row MID - Middle of Row	SNS21x - Philips Wireless Sensor (EasySense) ††† SVP - Silvair PIR Wireless Sensor ††† SVM - Silvair Microwave Sensor ††††† LAR - Lutron Athena Wireless control RF Only ††††† LAP - Lutron Athena Wireless PIR Sensor ††† LVR - Lutron Vive Wireless control RF Only ††††† LVP - Lutron Vive Wireless PIR Sensor ††† Axx - Auxiliary output 12 or 24V TLR - Tamper-proof lens Retainer EM - Emergency Battery Pack †

*EXAMPLE: CONTINUOUS ROW @ 1000 LUMENS PER FOOT 24'-0"

* Standard "EM" option to be NiCd Battery @ 1000 Lumens @ 90 min. duration [standard]. Consult factory for all available options.

PCM Cross Section & Fixture Dimensions

Prefix: PCM



CONSTRUCTION

- Precision die-formed from code-gauge cold rolled steel.
- Mechanically fastened (standard - when ordered as "PP" under "Housing Color / Finish" in the ordering guide).
- Resistance (spot) welded construction is optional.
- Consult factory for all options or any modifications needed.

FINISH

- **Housing**
 - "GW" indicates Gloss White post paint (spot-welded) construction.
- **Reflector/Optics**
 - High Reflectance White polyester powder coat baked enamel for extreme durability and superior optical efficiency.

LED's/OPTICS

- High performance LED boards manufactured specifically for interior lighting. LED boards feature the latest mid-power LEDs for maximum performance, efficiency and longevity.
- Standard color temperatures offered are 3500K and 4000K. Consult factory for all other color temperature options. 80 CRI (Minimum). RoHS Compliant.

- Always consult factory for the latest developments and improvements concerning LEDs and Optics.

DRIVERS

- Electronic, high efficiency, programmable, linear, constant current type. Universal voltage 120v-277v (Standard)
- Features include constant lumen maintenance, end of life indication and LED thermal protection.
- 0-10v dimmable. 10%-100% dimming (Standard) / 1%-100% dimming (Optional).
- Factory programmed drive current, Dim to Off function, Soft Start function.
- Step-Dim and Line Voltage Dimming Drivers are optional.
- Auxiliary output (Optional) used to power various sensors / wireless modules.
- Suitable for dry and damp locations.
- UL/CUL Class 2 Recognized, RoHS Compliant.

LENS (DIFFUSER)

- Extruded, clear, 100% virgin acrylic, linear ribbed with pattern 12 prismatic embossment (Standard).
- 30% DR additive used to increase resistance to breakage (Optional).
- Optional frosted lens / diffuser manufactured from extruded, 100% virgin acrylic & high light transmission / LED diffusing polymer featuring linear ribbed pattern, which provides a clean, aesthetic architectural look.

MOUNTING

- Fixtures are designed to be surface mounted, Consult factory for all other special mounting conditions.

ELECTRICAL

- Surface Mount Fixtures are UL/CUL listed and labeled for dry/damp locations.
- LM80 performance for 50,000+ hours
- Bi-Level dimming option allows 50% power for compliance with common energy codes.
- Driver disconnect provided where required to comply with US & Canadian codes.

QUALITY CONTROL

- All fixtures are designed, fabricated, assembled, tested, packaged and shipped from RENOVA's manufacturing facility in Mansfield, MA (USA).

WARRANTY

- 5-year limited warranty. Please refer to RENOVA's website at www.renova.com/sales/warranties for the latest warranty terms and conditions.

NOTES:

LED Dimming Drivers have adjustable output capability. A wide range of input watts/lumen output can be adjusted up or down on all models to suit a particular application. Always consult factory for the latest information.

Photometric data, IES files and all other information is available on request.

RENOVA products are constantly being improved; therefore the information shown is subject to change without notice. Always consult your lighting representative or RENOVA Lighting Systems, Inc. for the latest information.