

ECO Series Recessed

Prefix: EVN14



The Eco Series LED Recessed Fixture family has been developed to dramatically improve energy efficiency and quality of light using Solid State Lighting (SSL) technologies. The Eco Series LED Recessed Fixtures provide an attractive, energy efficient architectural look which has been specifically designed to replace existing fluorescent lighting or for use in new construction. Comfortable, low glare, uniform lighting is attributed to this style of fixture. Typical applications for this type of product are interior spaces where finished ceilings and walls exist. Applications include:

- Commercial/Corporate Office Spaces
- Retail Spaces, Public Spaces and Airports
- Schools, Colleges and Universities
- Hospitals, Government Facilities and Military Bases



project:

fixture type:

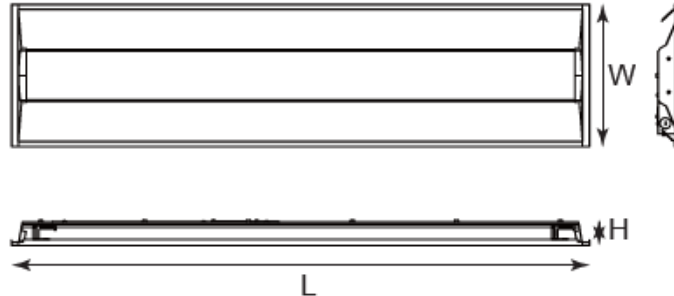
catalog #:

quantity:

ORDERING GUIDE

EVN	14	-	N	-	LFKS	-	UNV	-	DS	-	-	-	AF	-	
PREFIX/SERIES	SIZE	OPTICS (DISTRIBUTION)	LUMEN OUTPUT*	DRIVER VOLTAGE	DRIVER TYPE	COLOR TEMP.	CRI	LENS (DIFFUSER)	FIXTURE OPTIONS						
EVN - Eco Series Recessed	14-1x4	N - Normal	LFKS - Field selectable 3400lms (24w) 4000lms (30w) 4300lms (33w)	UNV - Universal Voltage (120v - 277v) (50/60 Hz)	DS - 0-10v Low Voltage Dimming (10% - 100%)	Blank-Field Selectable 35K 40K/50K	Blank-80CRI	AF - Frosted Linear PMMA Lens (Standard)	OS-PIR Sensor†† EM - Emergency Battery Pack † SMK14 - Surface Mounting Kit † CMK14 - Cable Mounting Kit †						

† Standard "EM" option to be NiCd Battery @ 5 Watts constant power @ 90 min. duration (standard). Consult factory for all available options.
†† PIR Sensors with daylight priority comes with default settings: Detection area 100%, Hold time 10min, Daylight Threshold - disable, standby period 10min, standby dimming 20%. (Sensor settings can be changed in field via Bluetooth remote - HDR (sold separately))



L (in)	W (in)	H (in)	Weight (lbs)
47.76	11.73	2.12	4.49

CONSTRUCTION

- Steel housing.
- Built-in earthquake clips provide secure installation in grid
- ceilings.

FINISH

- High Reflectance Matte White polyester powder coat baked enamel for extreme durability and superior fixture efficiency. Total Reflectance = 97%.

LED's/OPTICS

- High performance LED boards manufactured specifically for interior lighting. LED boards feature the most current LEDs for maximum performance, efficiency and longevity.
- Standard color temperatures offered are 3500K 4000K and 5000K.
- 80 CRI
- Always consult factory for the latest developments and improvements concerning LEDs and Optics.

DRIVERS

- Electronic, constant current type. Universal voltage (120v-277v) .
- 0-10v dimmable. 10-100%
- Suitable for dry and damp locations.
- UL Recognized Class P, RoHS Compliant.

LENS (DIFFUSER)

- Extruded PMMA lens.

MOUNTING

- Recessed fixtures are designed to be mounted into a standard NEMA "G" T-grid ceiling. Consult factory for all other special mounting conditions.

ELECTRICAL

- Recessed fixtures are UL/CUL Listed and labeled for dry / damp locations.
- LM80 performance for 50,000+ hours

QUALITY CONTROL

- All fixtures are designed, fabricated, assembled, tested, packaged and shipped from RENOVA's manufacturing facility in Warwick, RI (USA).

WARRANTY

- 5-Year limited warranty. Please refer to RENOVA's website at www.renova.com/sales/warranties for the latest warranty terms and conditions.

NOTES:

LED Dimming Drivers have adjustable output capability. A wide range of input watts/lumen output can be adjusted up or down on all models to suit a particular application. Always consult factory for the latest information.

Photometric data, IES files and all other information is available on request.

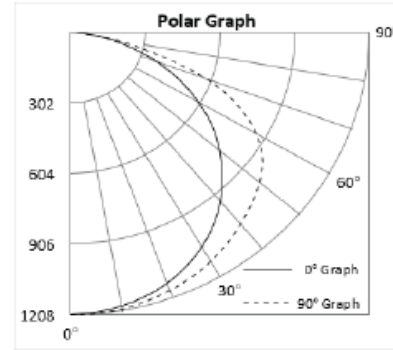
RENOVA products are constantly being improved; therefore the information shown is subject to change without notice. Always consult your lighting representative or RENOVA Lighting Systems, Inc. for the latest information.

Luminaire Data

Description	1X4 Center Basket Lumen and Kelvin Select
Total Lumens	4,225
Input Wattage	33
Efficacy (lm/W)	126
Spacing Criterion (0-180°)	1.32
Spacing Criterion (90-270°)	1.42

Zonal Lumen Summary

Zone	Lumens	%Fixt
0-20°	449	10.6%
0-30°	973	23.0%
0-40°	1,637	38.7%
20-50°	1,926	45.6%
40-70°	2,114	50.0%
0-60°	3,116	73.7%
0-80°	4,133	97.8%
0-90°	4,213	99.7%
90-180°	12	0.3%
0-180°	4,225	100.0%



Photometrics based on 35K CCT and set to highest lumen output.

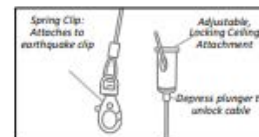
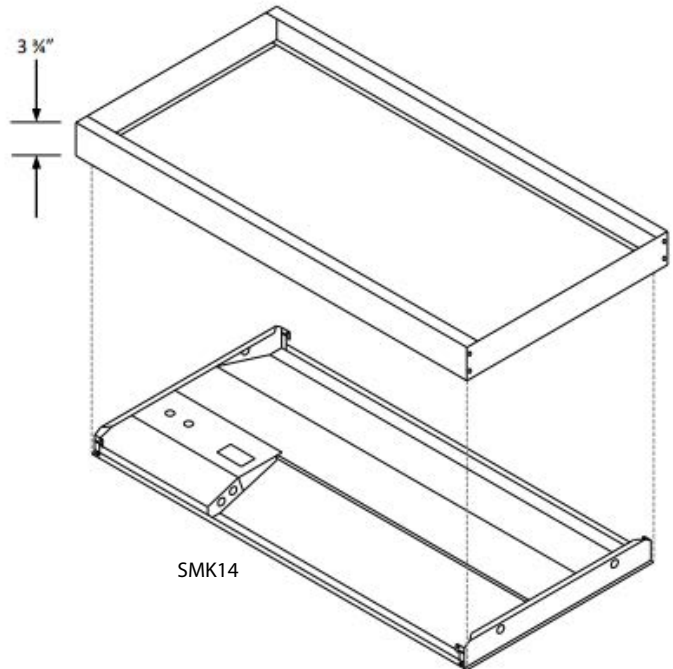
Measurements	High			Mid			Low		
	3500K	4000K	5000K	3500K	4000K	5000K	3500K	4000K	5000K
Lumens	4,239	4,345	4,257	3,930	4,105	4,028	3,309	3,444	3,396
Watt	33	32	33	30.15	28.92	30	24.76	23.9	24.68
Efficacy	127	137	128	130.35	141.94	134.27	133.64	144.10	137.60

CCT	Input Amps (A)								
	High			Mid			Low		
	120V	240V	277V	120V	240V	277V	120V	240V	277V
3500K	0.28	0.14	0.12	0.25	0.13	0.11	0.21	0.10	0.09
4000K	0.26	0.13	0.11	0.24	0.12	0.10	0.20	0.10	0.09
5000K	0.28	0.14	0.12	0.25	0.13	0.11	0.21	0.10	0.09

Mounting Options:

(order separately)

- Optional surface mounting kits (SMK14) mounts below the ceiling.
- Optional cable mounting kits provide additional security, as well as suspended mounting. Attach one end of the Cable Mount Kit (CMK14) to luminaire earthquake clips using spring clips, and attach the other end to stationary structures using the adjustable, locking ceiling attachment (see picture below right).



Cable Mount Kit:

- Spring Clip
- Adjustable, locking ceiling attachment

CMK14